



3+



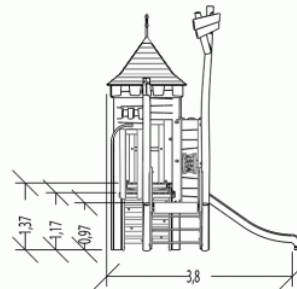
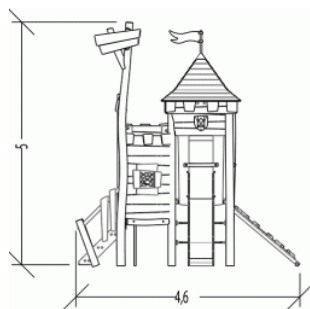
16



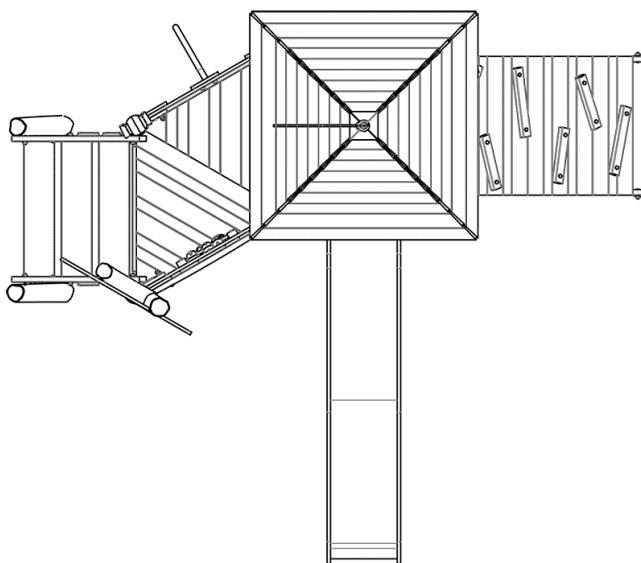
1,6m



1 = 4,6m  
2 = 3,8m  
3 = 5m



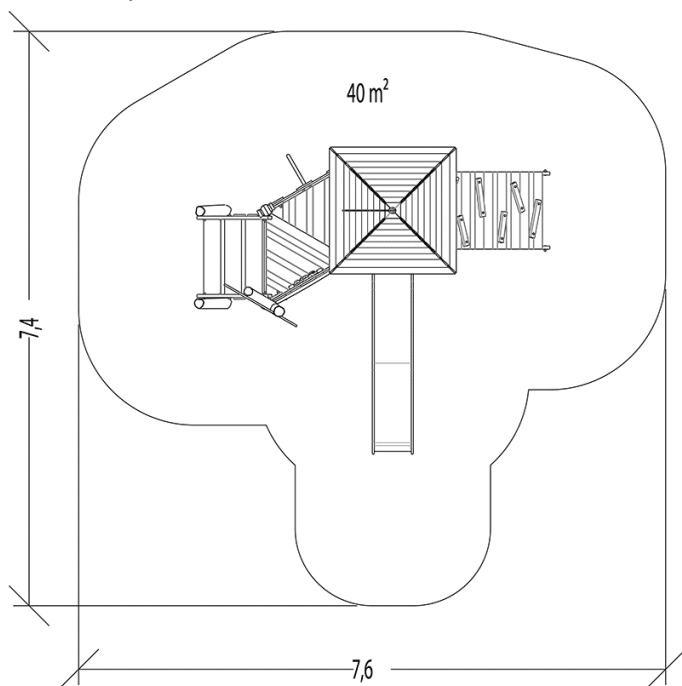
## Components





## Installation of equipment

Impact area =

-  Impact area
-  Free space



		
1	1,37m	40m <sup>2</sup>



0



00h0



0m<sup>3</sup>



40m<sup>2</sup>



1183kg



1085kg

