



2+



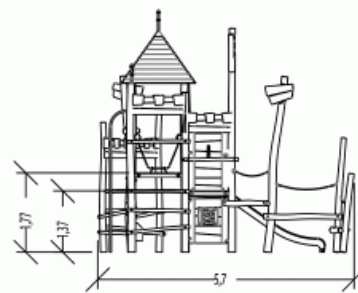
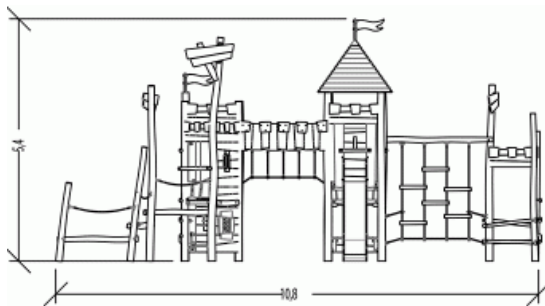
38



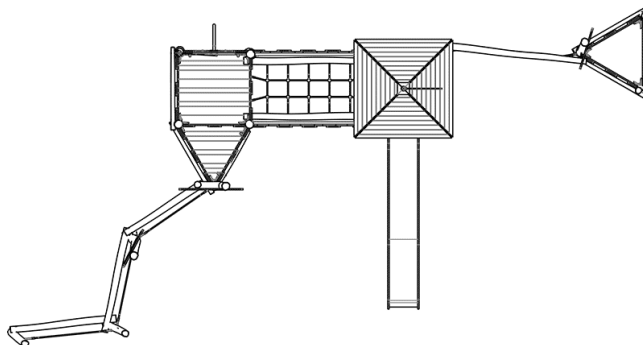
2,8m



1 = 10,8m
2 = 5,7m
3 = 5,4m



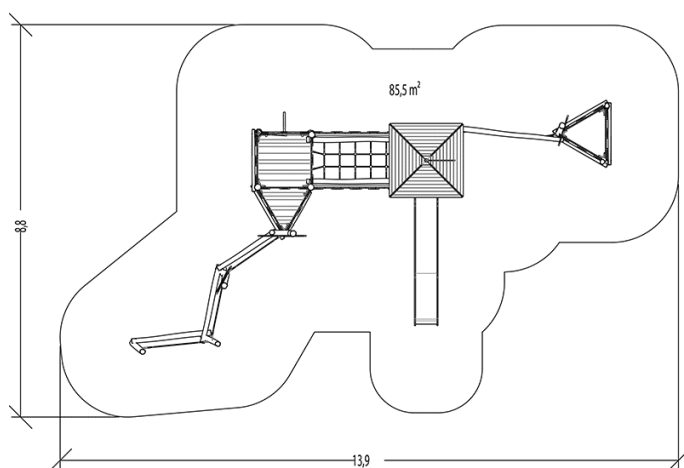
Components





Installation of equipment

Impact area =

-  Impact area
-  Free space



	
1	2,8m
	85,5m ²



0



h



0.19m³



85.5m²



-



-

