



2+



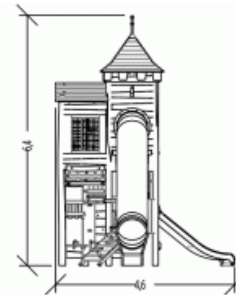
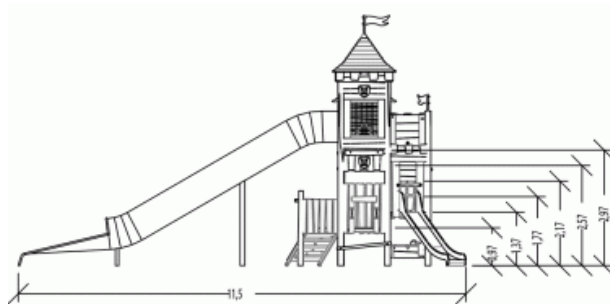
36



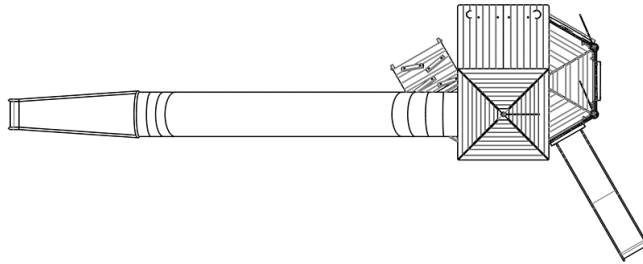
1,77m



1 = 11,5m
2 = 4,6m
3 = 6,4m





Components

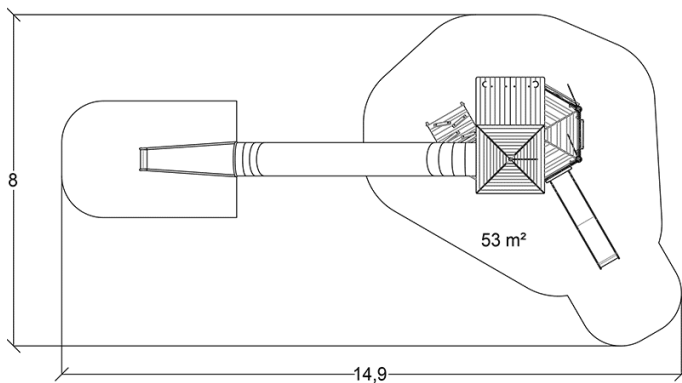


Installation of equipment

Impact area =

-  Impact area
-  Free space

		
1	1,77m	53m ²



0



h



0.15m³



53m²



-



-

