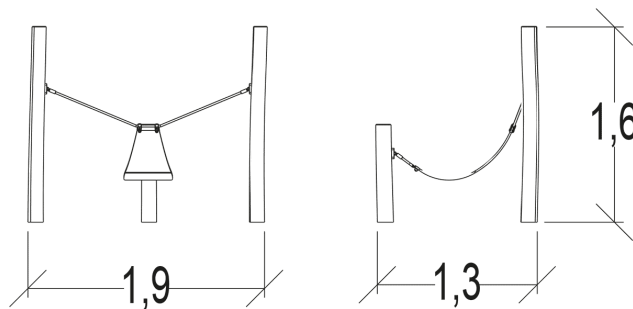
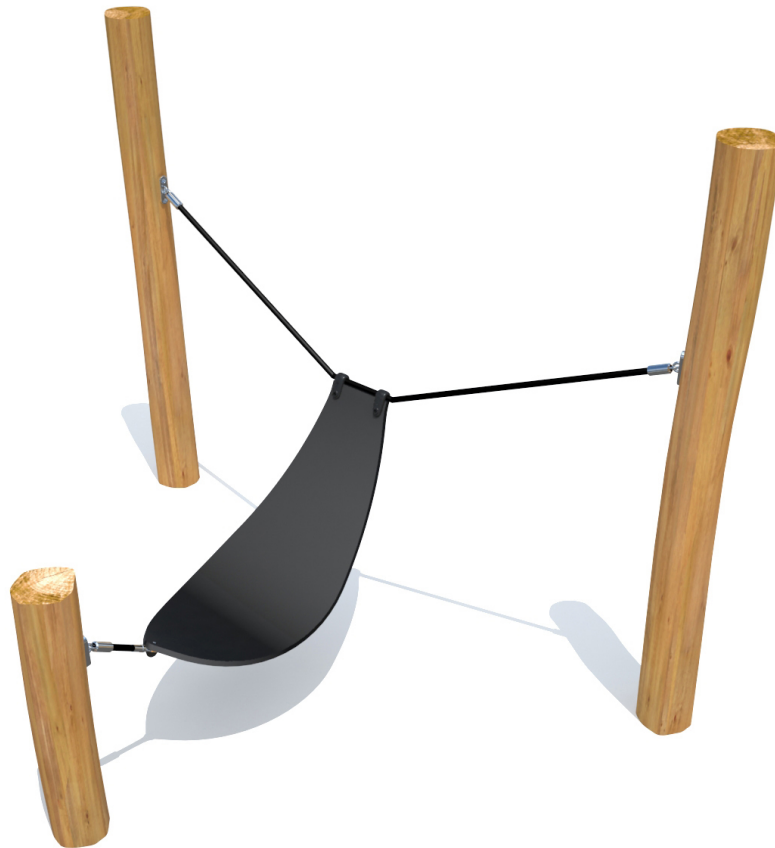


3+ 1 0,6m

1 = 1,9m
2 = 1,3m
3 = 1,6m



Motor inclusion
Sensory inclusion
Mental inclusion



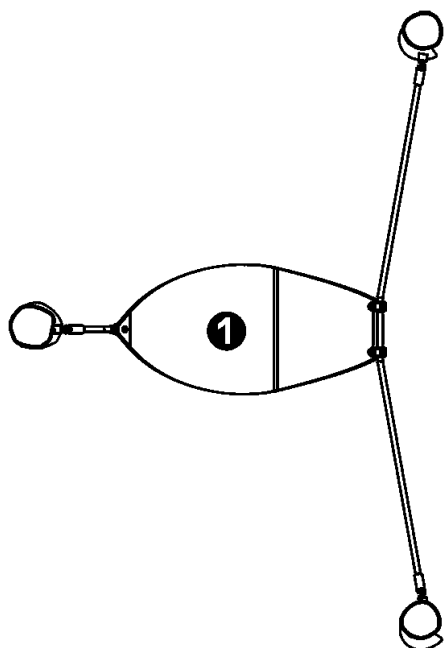
Play value : 1

resting



x1

Components

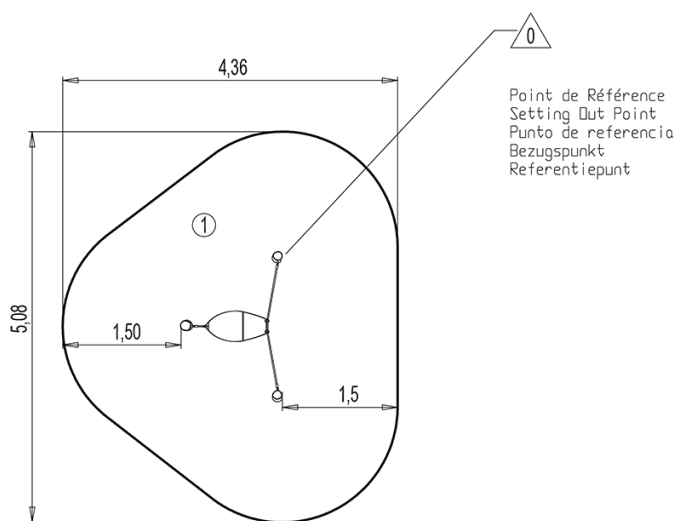


① Hammock

Installation of equipment

Impact area =

— Impact area
- - - Free space



1	<0,6m	17m ²



2



01h00



0.2m³



17m²



78kg



27kg

