



10+



3



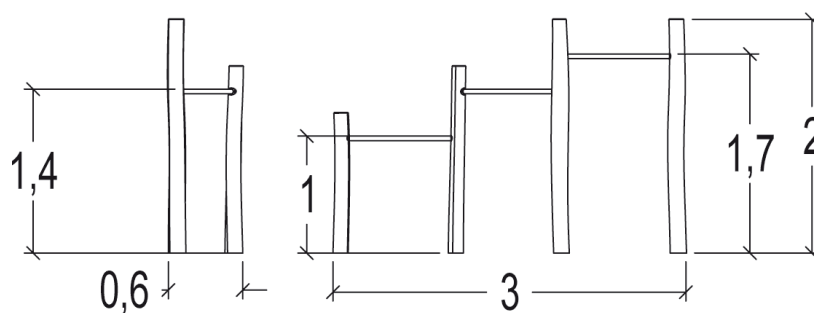
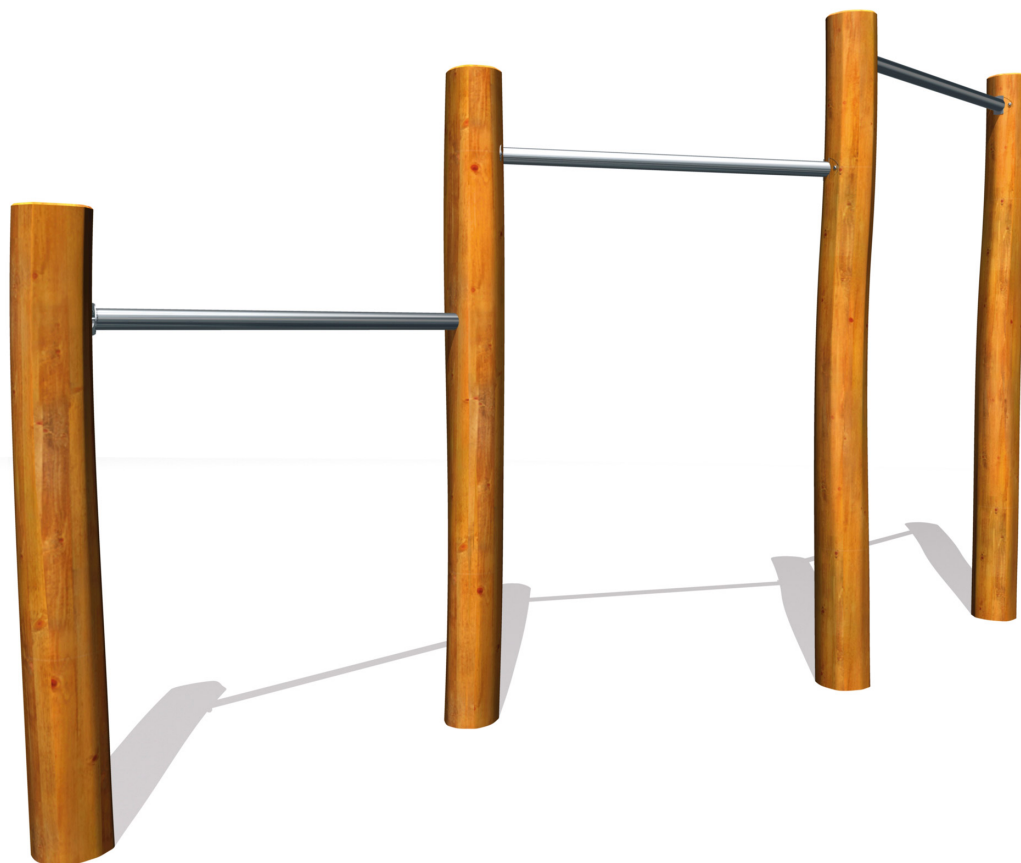
1,7m



1 = 3m
2 = 0,6m
3 = 2m



Motor inclusion
Sensory inclusion
Mental inclusion



Play value : 1

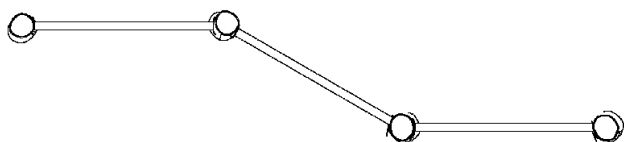
hanging



x1

Components

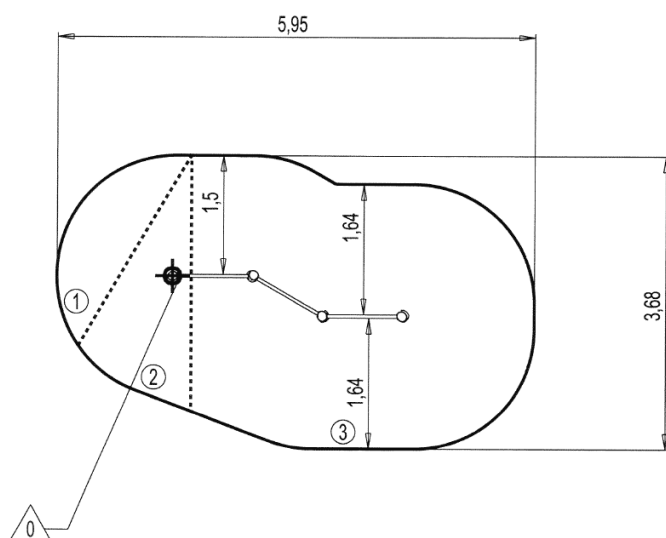
1 Horizontal bars



Installation of equipment

Impact area =

Impact area
 Free space



Point de Référence
Setting Out Point
Punto de referencia
Bezugspunkt

1	1m	2m ²
2	1,4m	2,5m ²
3	1,7m	13,5m ²



2



01h00



0.26m³



18m²



120kg



32kg

