



2+



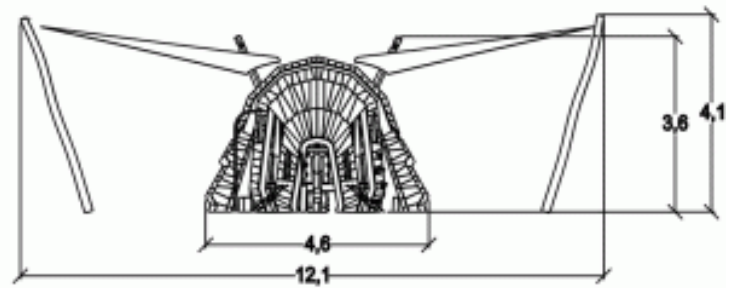
73



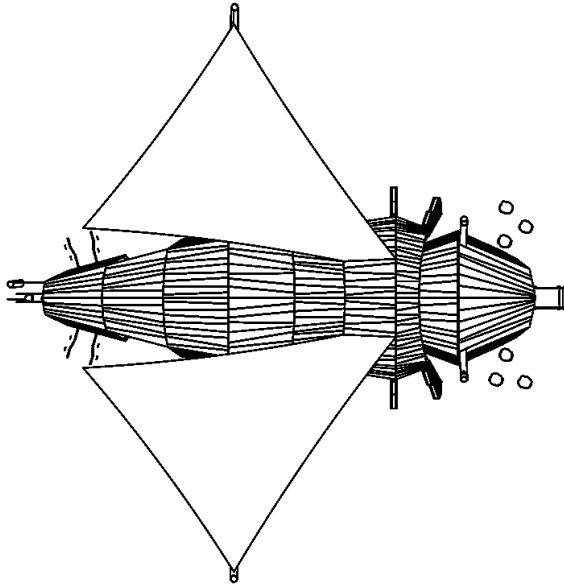
1,37m



1 = 11,7m
2 = 12,1m
3 = 4,1m



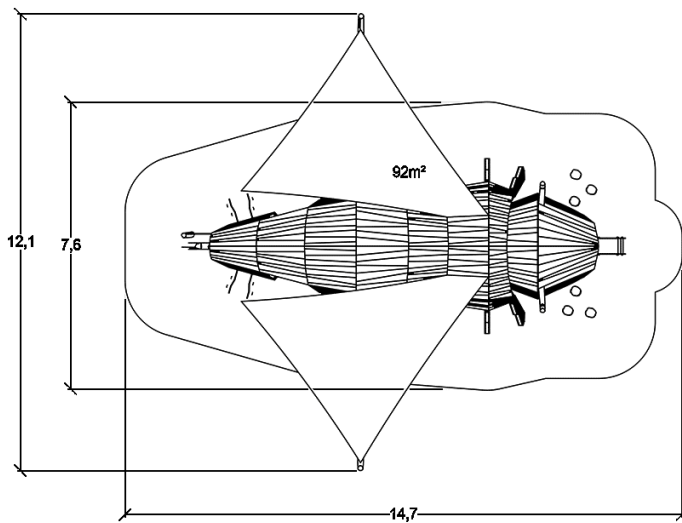
Components





Installation of equipment

Impact area =

-  Impact area
-  Free space



	
1	1,37m
	92m ²



0



00h0



0.28m³



92m²



-



-

