



1+



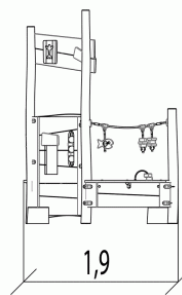
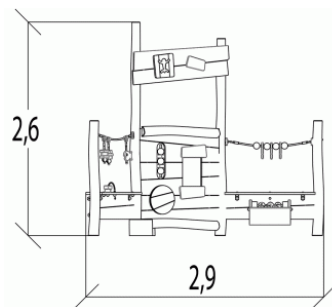
6



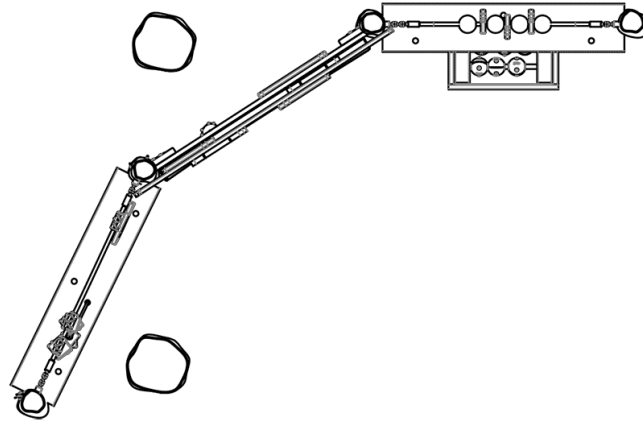
0,6m



1 = 2,9m
2 = 1,9m
3 = 2,6m



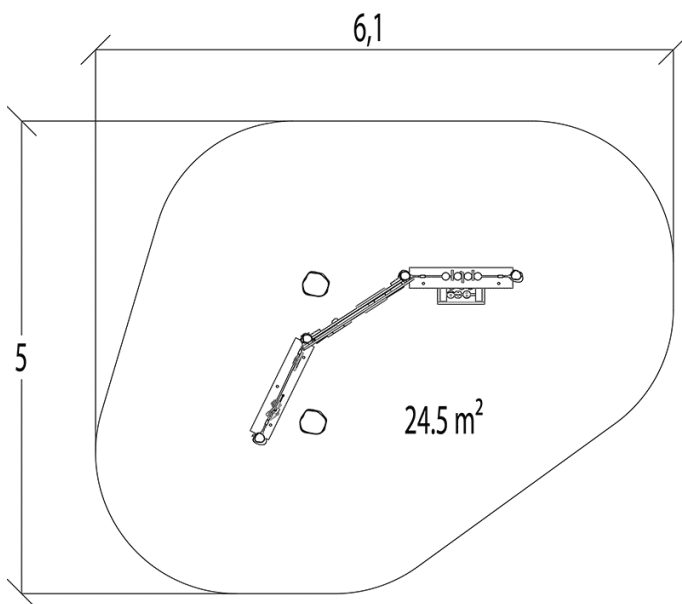
Components





Installation of equipment

Impact area =

-  Impact area
-  Free space



		
1	<0,60m	24,5m ²



0

h

0.26m³

24.5m²

-

-

