



3+



5



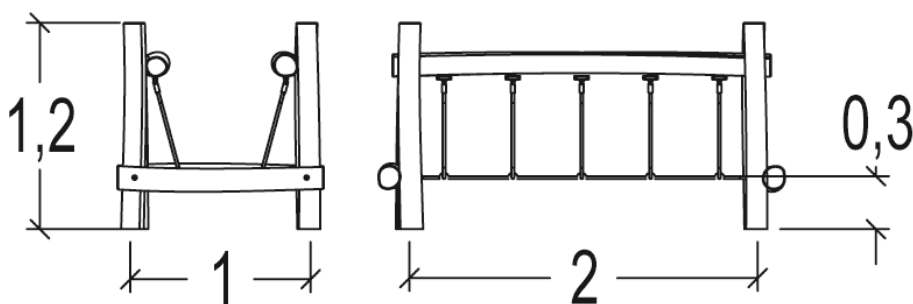
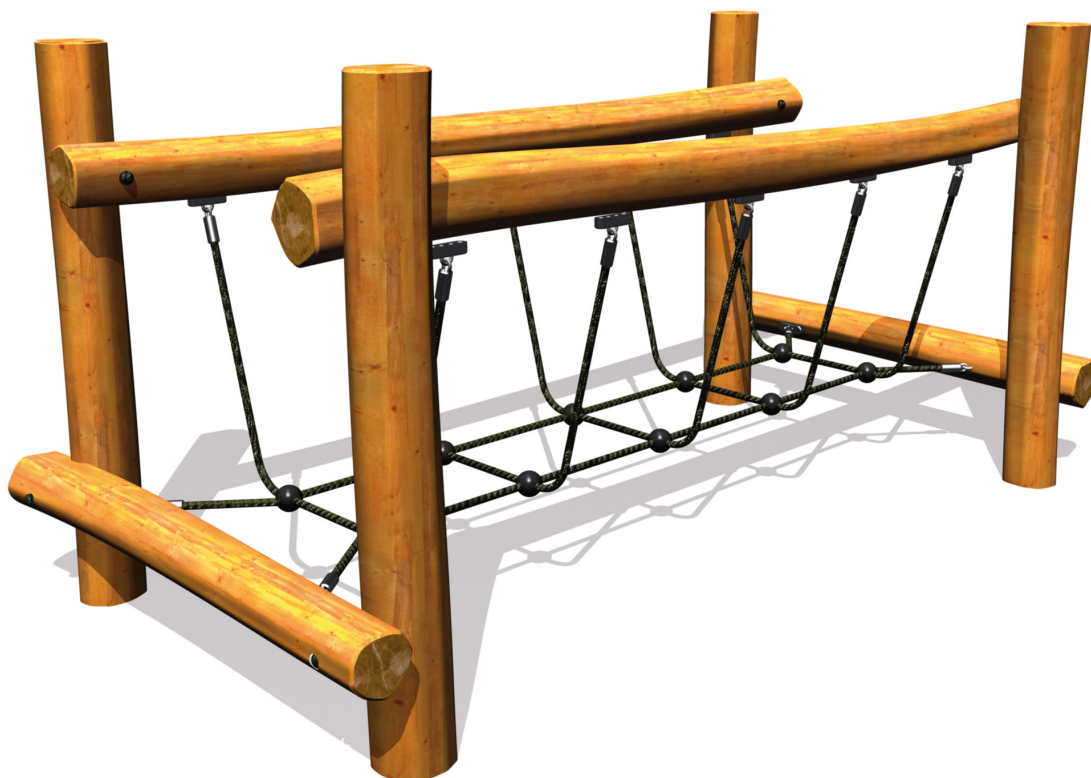
0,6m



1 = 2m
2 = 1m
3 = 1,2m



Motor inclusion
Sensory inclusion
Mental inclusion



Play value : 2

balancing

getting across



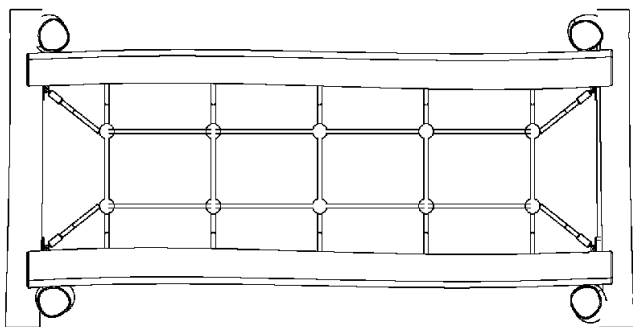
x1



x1

Components

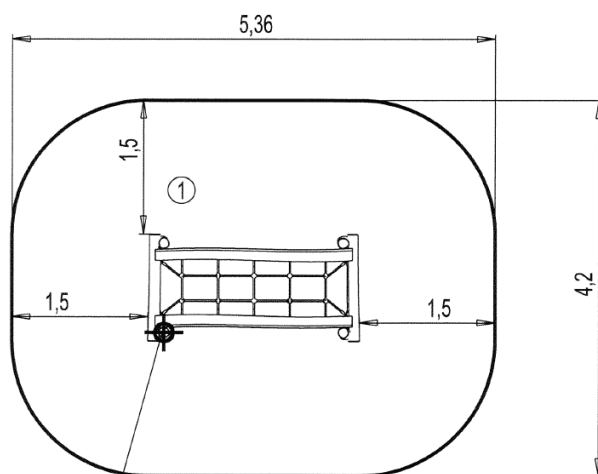
① Suspended net



Installation of equipment

Impact area =

— Impact area
- - - Free space



①
②
0

Point de Référence
Setting Out Point
Punto de referencia
Bezugspunkt
Referentiepunt

1	<0,6m	21m ²



2



02h00



0m³



21m²



144kg



22kg

