



2+



5



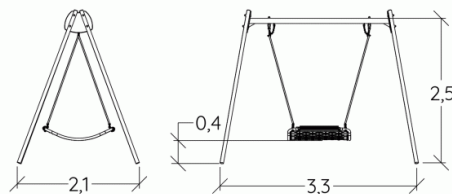
1,42m



1 = 3,36m
2 = 2,08m
3 = 2,58m



Motor inclusion
Sensory inclusion
Mental inclusion



Play value :

3

meeting



x1

resting



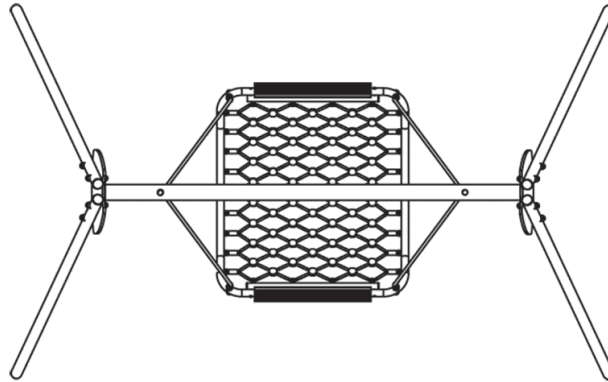
x1

swinging



x1

Components




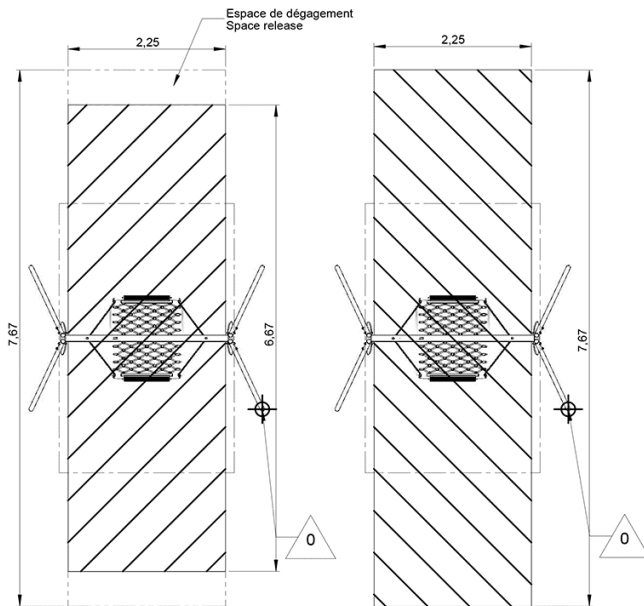
Installation of equipment



Impact area =

 Impact area
 Free space

 Zone d'Impact Sol souple
Impact Area Wetpour
Area de Impacto
Fallraum bei synthetischem Fallschutz

 Zone d'Impact Sol fluent
Impact Area Loose particle material
Arenero
Fallraum bei losem Bodenmaterial



	
1	1,42m
	15,5m ²



2

04h00

0.3m³

15.5m²

120kg

28kg

