



2+



5



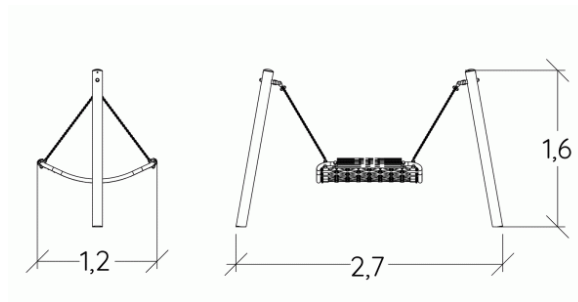
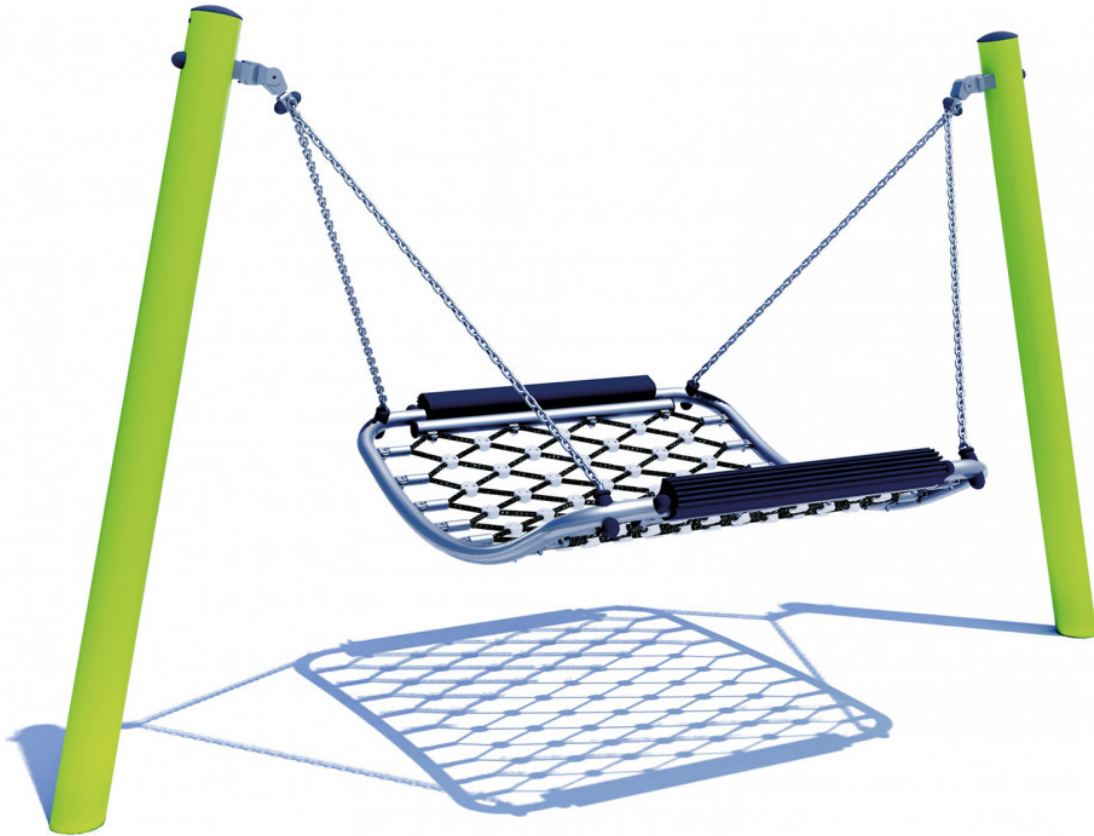
0,94m



1 = 2,71m
2 = 1,22m
3 = 1,6m



Motor inclusion
Sensory inclusion
Mental inclusion



Play value :

3

meeting



x1

resting



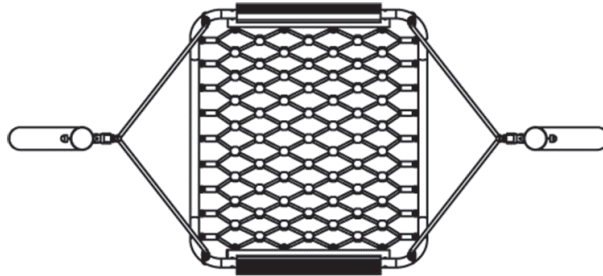
x1

swinging



x1

Components



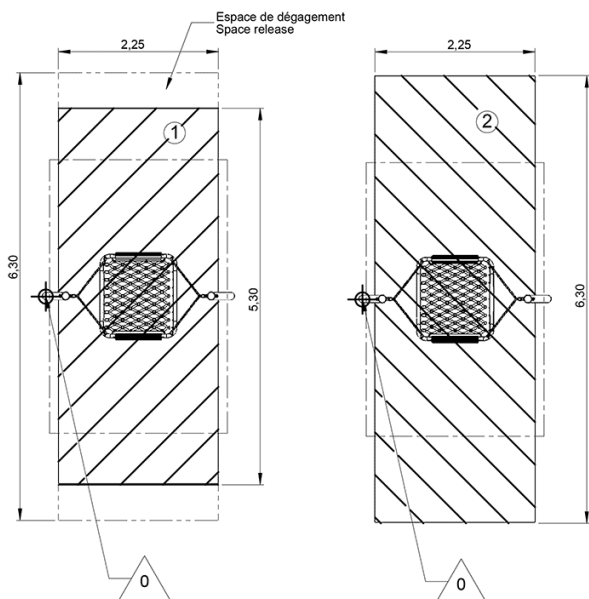
Installation of equipment



Impact area =

 Impact area
 Free space

 Zone d'Impact Sol souple
Impact Area Wetpour
Area de Impacto
Fallraum bei synthetischem Fallschutz

 Zone d'Impact Sol fluent
Impact Area Loose particle material
Arenero
Fallraum bei losem Bodenmaterial



	
1	0,94m
	12m ²



2

01h00

0.4m³

12m²

65kg

29kg

EN
1176