


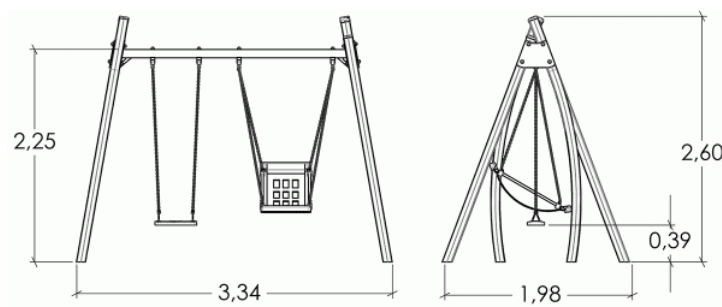
 **2+**
 **2**
 **1,37m**



 1 = 3,34m
 2 = 1,98m
 3 = 2,6m



Motor inclusion
 Sensory inclusion
 Mental inclusion



Play value : **4**

meeting



x1

resting



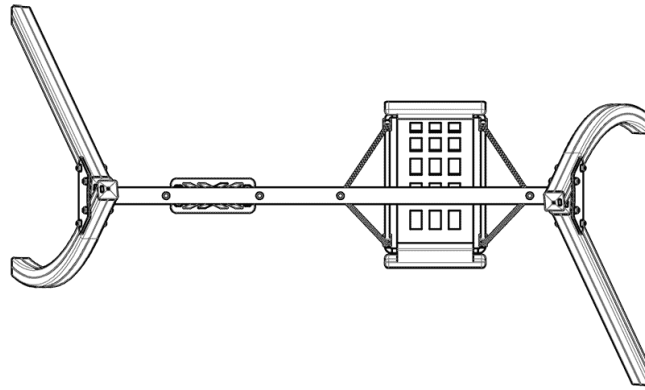
x1

swinging



x2

Components



Installation of equipment

Impact area =



Impact area



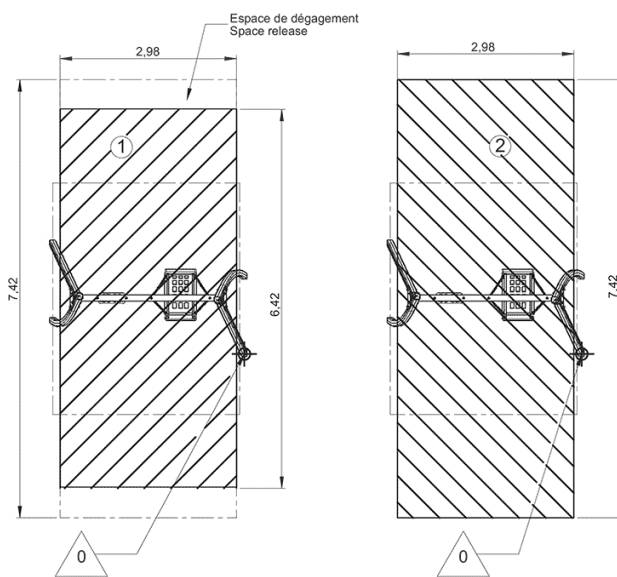
Free space



Zone d'Impact Sol souple
Impact Area Wetpour
Area de Impacto
Fallraum bei synthetischem Fallschutz



Zone d'Impact Sol fluant
Impact Area Loose particle material
Arenero
Fallraum bei losem Bodenmaterial



1	1,37m	19,5m ²
2	1,37m	22,5m ²



2



1h30



0.11m³



19.5m²



150kg



28kg

