



1-3



2



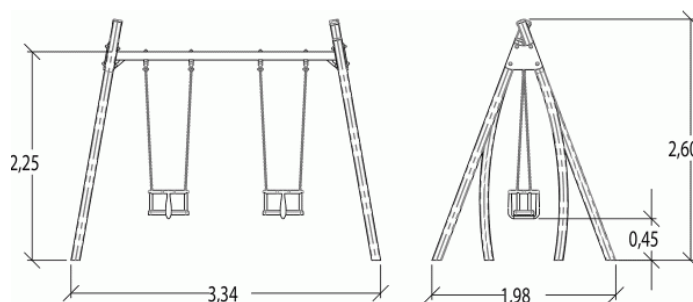
1,33m



1 = 3,34m
2 = 1,98m
3 = 2,6m



Motor inclusion
Sensory inclusion
Mental inclusion



Play value :

4

meeting



x1

resting



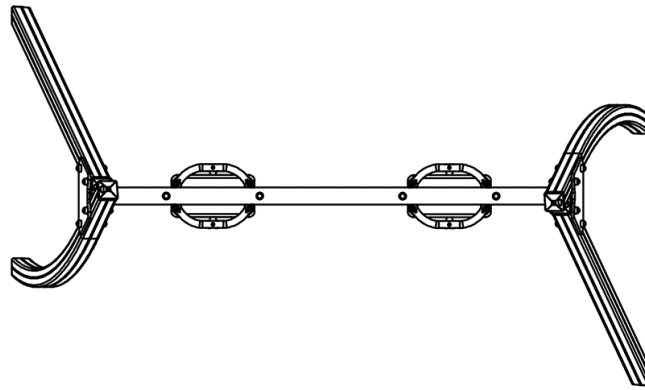
x1

swinging



x2

Components



Installation of equipment

Impact area =

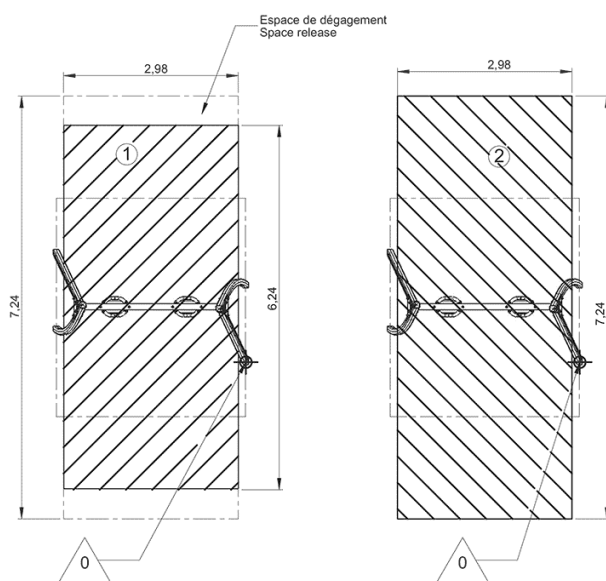
 Impact area
 Free space



Zone d'Impact Sol souple
Impact Area Wetpour
Area de Impacto
Fallraum bei synthetischem Fallschutz



Zone d'Impact Sol fluent
Impact Area Loose particle material
Arenero
Fallraum bei losem Bodenmaterial



1	1,33m	19m ²
2	1,33m	22m ²



2



1h30



0.11m³



19m²



153kg



30kg

