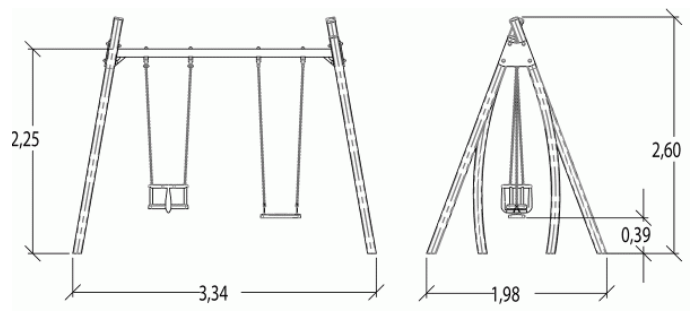


1+      2      1,28m

1 = 3,34m  
2 = 1,98m  
3 = 2,6m



Motor inclusion  
Sensory inclusion  
Mental inclusion



Play value : **4**

meeting



x1

resting



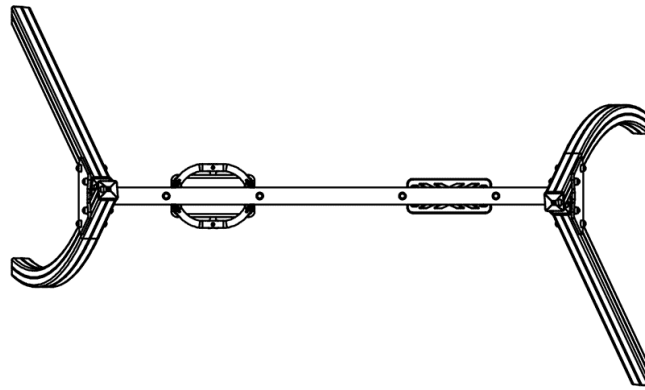
x1

swinging



x2

## Components



## Installation of equipment

Impact area =

 Impact area  
 Free space



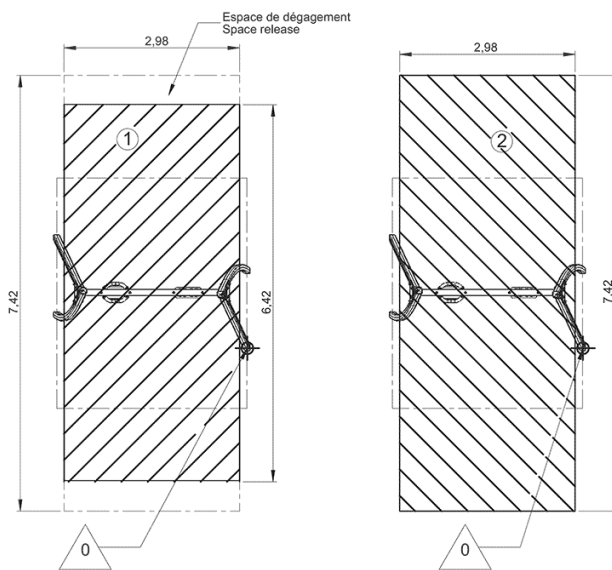
Zone d'Impact Sol souple  
Impact Area Wetpour  
Area de Impacto  
Fallraum bei synthetischem Fallschutz



Zone d'Impact Sol fluant  
Impact Area Loose particle material  
Arenero  
Fallraum bei losem Bodenmaterial



1	1,28m	19,5m <sup>2</sup>
2	1,28m	22,5m <sup>2</sup>



2



1h30



0.11m<sup>3</sup>



19.5m<sup>2</sup>



149kg



30kg

