



2+



2



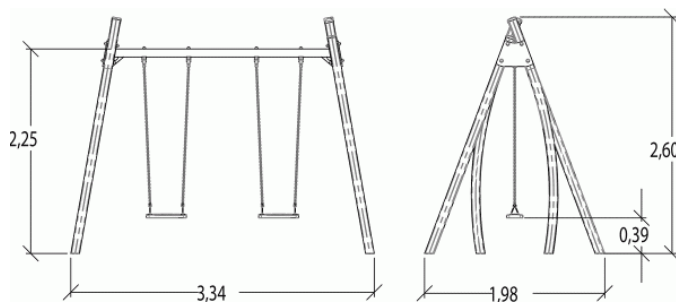
1,28m



1 = 3,34m  
2 = 1,98m  
3 = 2,6m



Motor inclusion  
Sensory inclusion  
Mental inclusion



Play value : **3**

meeting



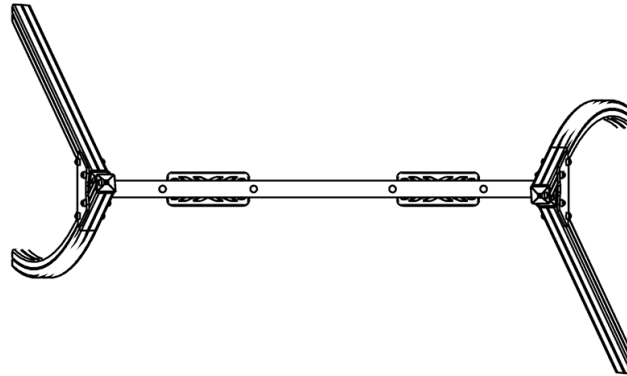
x1

swinging



x2

## Components



## Installation of equipment

Impact area =



Impact area



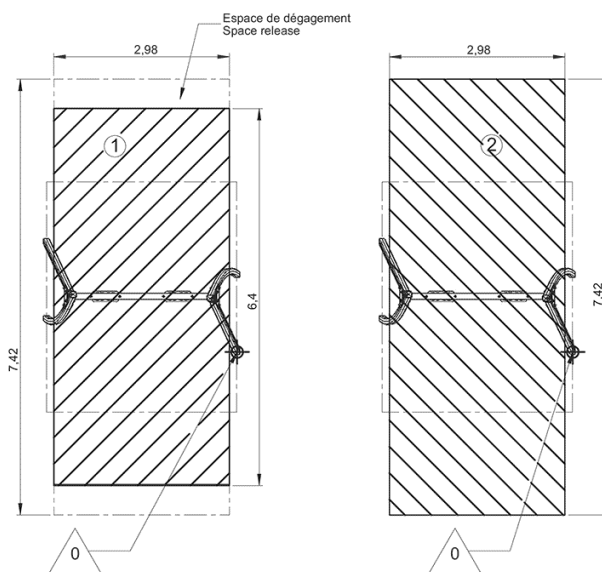
Free space



Zone d'Impact Sol souple  
Impact Area Wetpour  
Area de Impacto  
Fallraum bei synthetischem Fallschutz



Zone d'Impact Sol fluent  
Impact Area Loose particle material  
Arenero  
Fallraum bei losem Bodenmaterial



1	1,28m	19,5m <sup>2</sup>
2	1,28m	22,5m <sup>2</sup>



2



1h30



0.11m<sup>3</sup>



19.5m<sup>2</sup>



146kg



30kg

