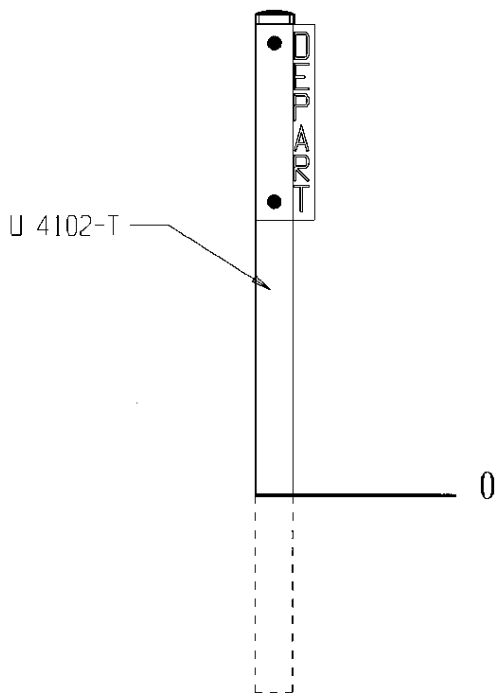
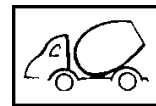


Our posts are made of laminated pine, treated without chrome or arsenic. Laminated wood is splinter-free, and it provides robust and dimensional stability. The posts are protected from fungi, insects and termites. The signboards are made of 9 mm HPL to ensure a high level of resistance to UV radiation.



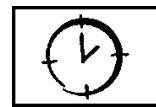
INSTALLATION



0.02m³



1



00h30

Total weight = 10 kg

Heaviest part = 10 kg