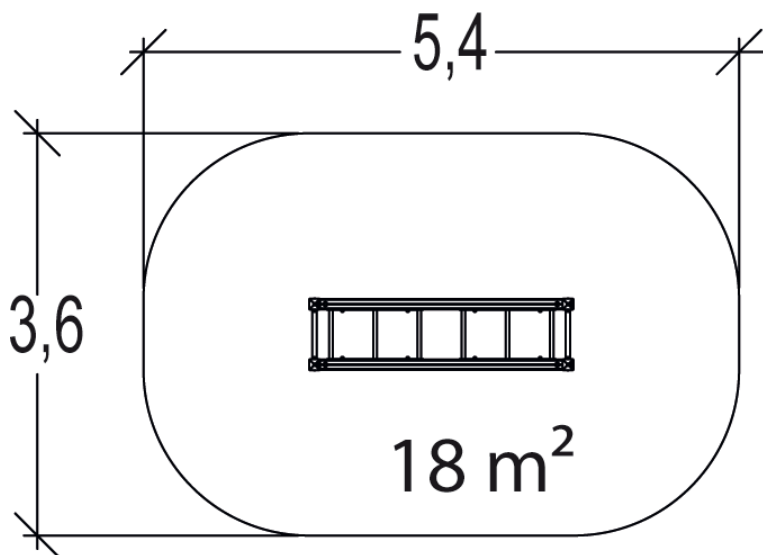
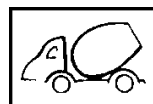
 1=2.4m 2=0.6m 3=2.5m



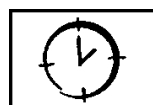
**INSTALLATION**



0.1m3



2

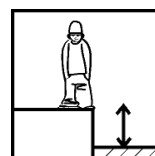


01h45

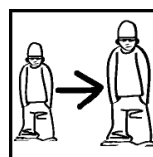
**OTHER INFORMATION**



2 players

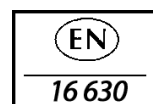


HCL= 1.4m



14+

**CERTIFICATIONS**



Total weight = 133 kg

Heaviest part = 20 kg