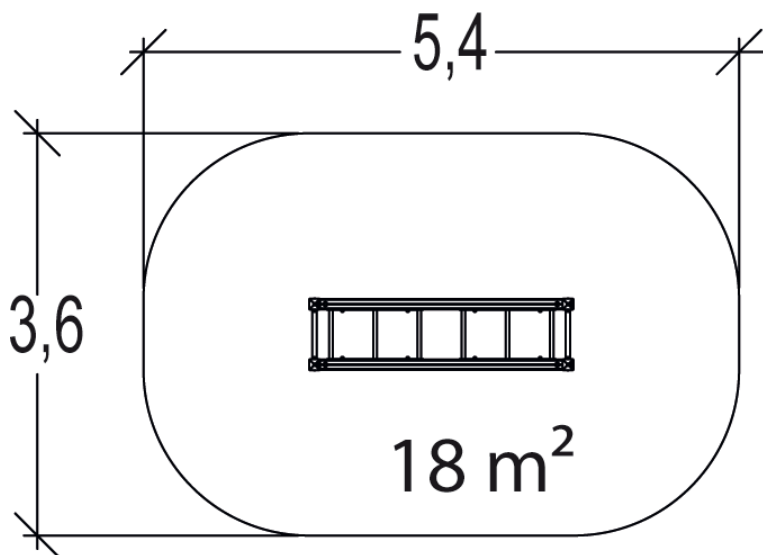
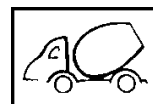
 1=3.2m 2=0.6m 3=1.8m



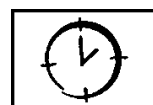
INSTALLATION



0.1m3



2

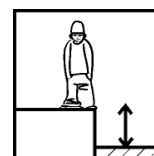


01h45

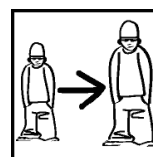
OTHER INFORMATION



2 players

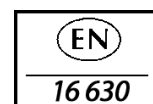


HCL= 1.7m



6-14 years old

CERTIFICATIONS



Total weight = 112 kg

Heaviest part = 15 kg