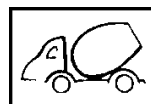
 1=2.7m 2=0.1m 3=2.5m



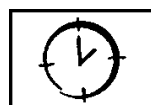
INSTALLATION



0.08m³



2

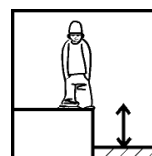


01h30

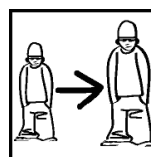
OTHER INFORMATION



2 players

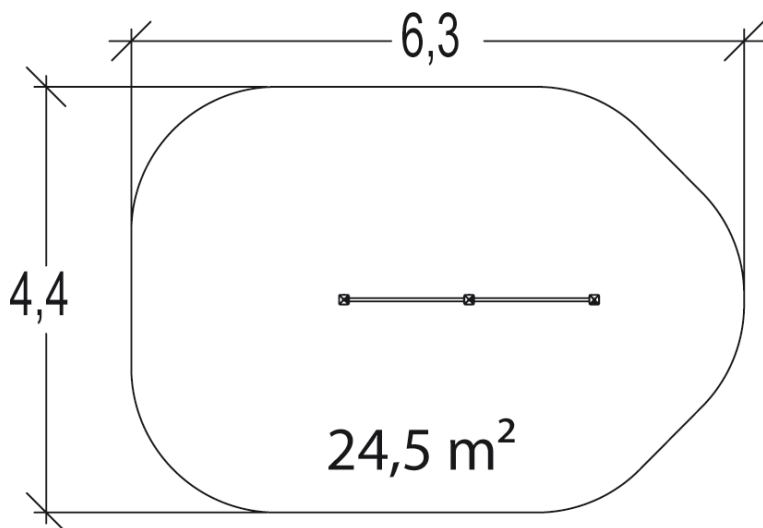
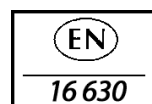


HCL= 2.4m



14+

CERTIFICATIONS



Total weight = 111 kg

Heaviest part = 20 kg