



14+



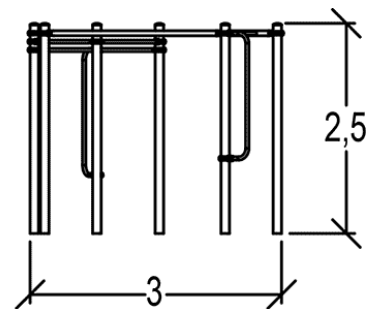
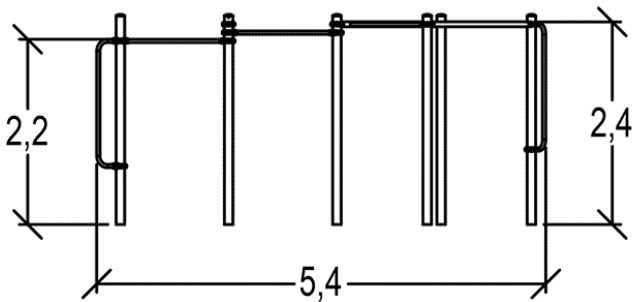
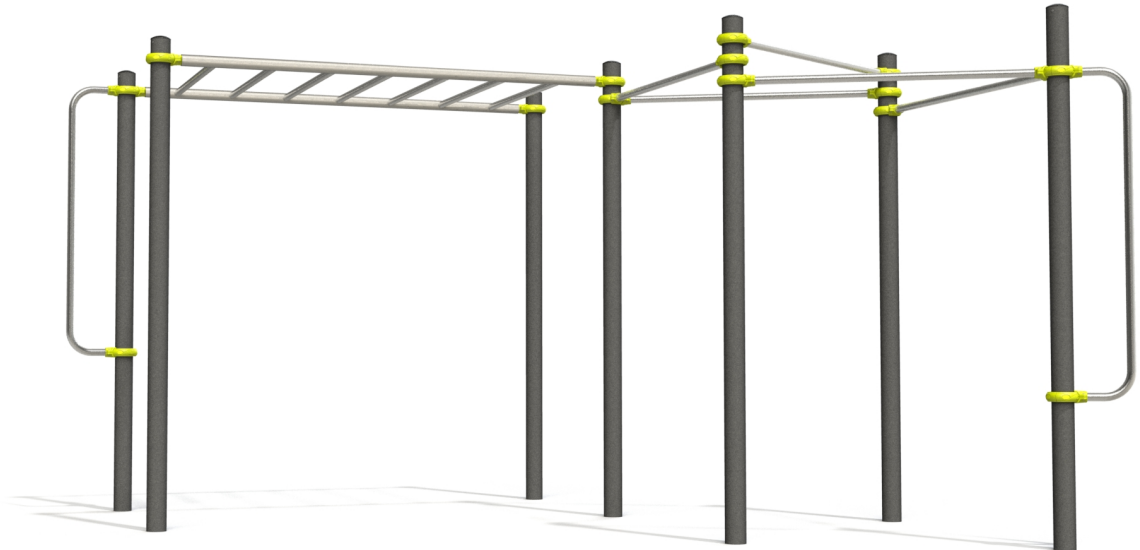
9



1,5m



1 = 5,7m 2 = 2,9m 3 = 2,5m



Play value : 3

hanging

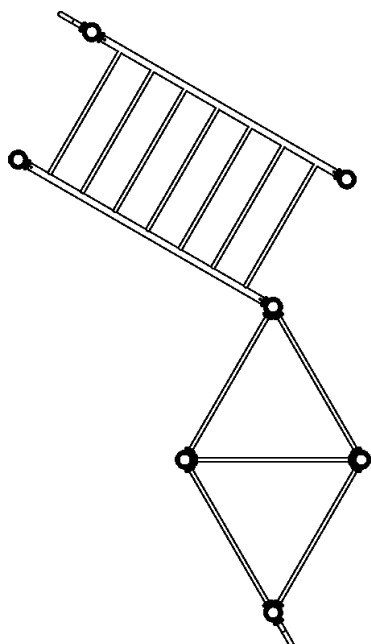


x2

climbing



x1

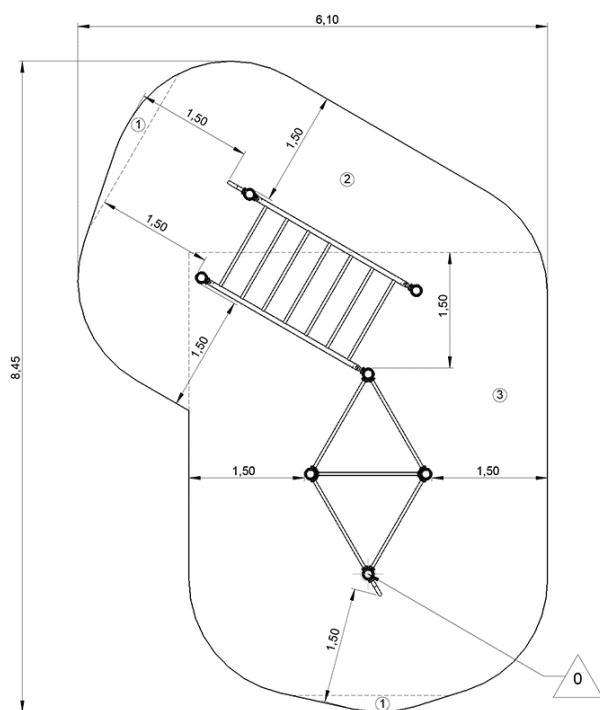


- ① Drapeau
- ② Echelle horizontale
- ③ Barre m el ees

Installation of equipment

Impact area =

- Impact area
- Free space



1	1,2m	1m ²
2	1,4m	12m ²
3	1,5m	26m ²



2



40h00



0.7m³



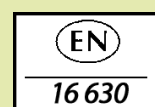
39m²



248kg



28kg



Proludic

0000-00-00