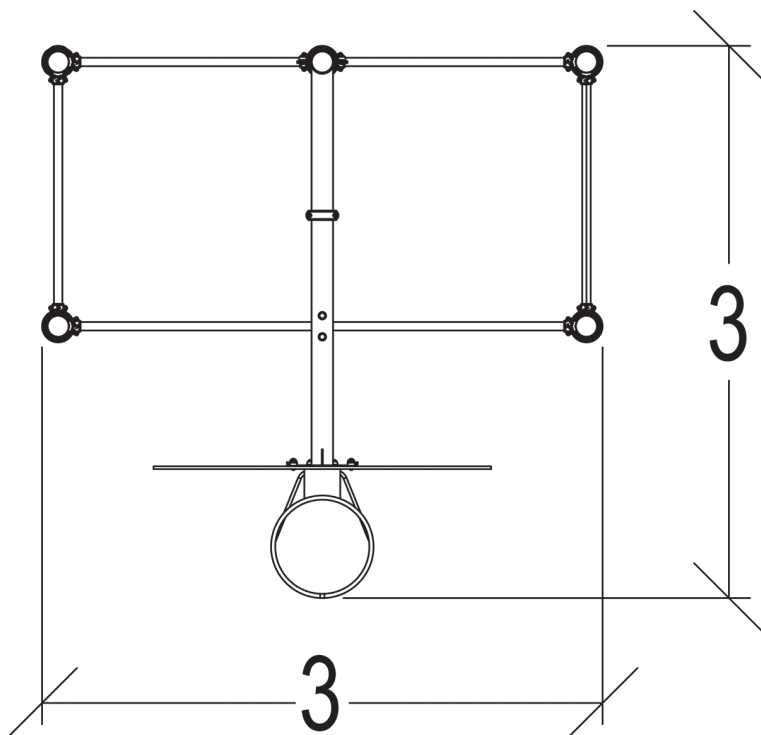
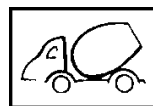




1=2.7m 2=2.6m 3=3.9m



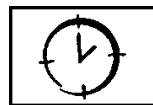
INSTALLATION



0.5m³

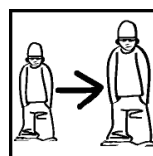


2



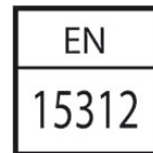
04h00

OTHER INFORMATION



6+

CERTIFICATIONS



Total weight = 284 kg

Heaviest part = 26 kg