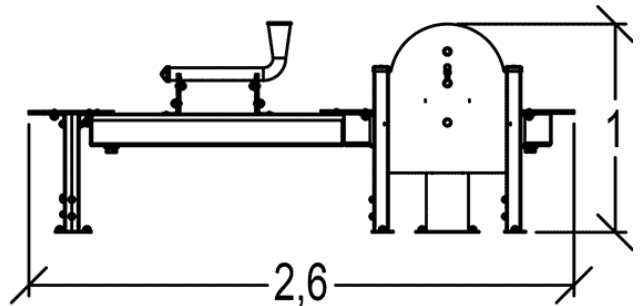
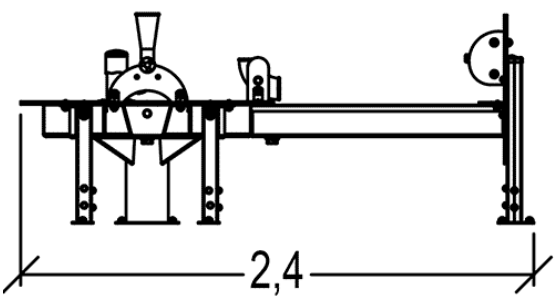


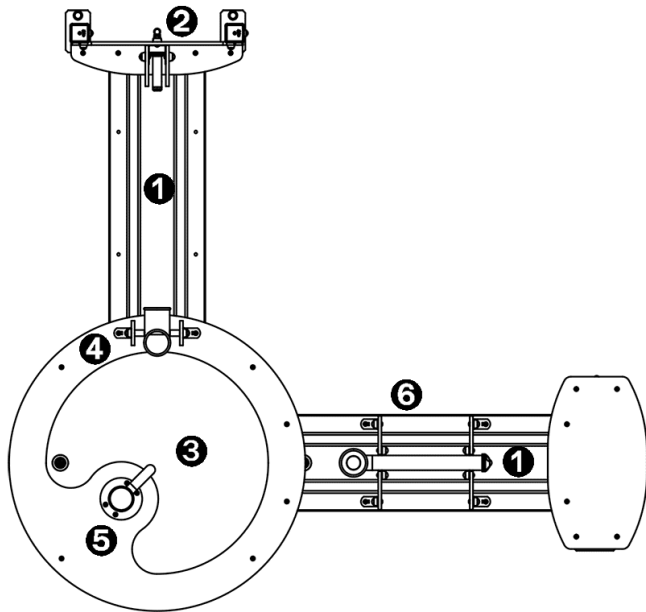
1+	22	0m	1 = 2,4m 2 = 2,4m 3 = 1m

	Motor disability	<input type="checkbox"/>
	Sensorial disabilities	<input type="checkbox"/>
	Learning disabilities	<input type="checkbox"/>



Play value : **10**

<p>role play</p> <p>x2</p>	<p>meeting</p> <p>x2</p>	<p>handling</p> <p>x2</p>	<p>thinking</p> <p>x2</p>	<p>tactile stimulation</p> <p>x2</p>
----------------------------	--------------------------	---------------------------	---------------------------	--------------------------------------

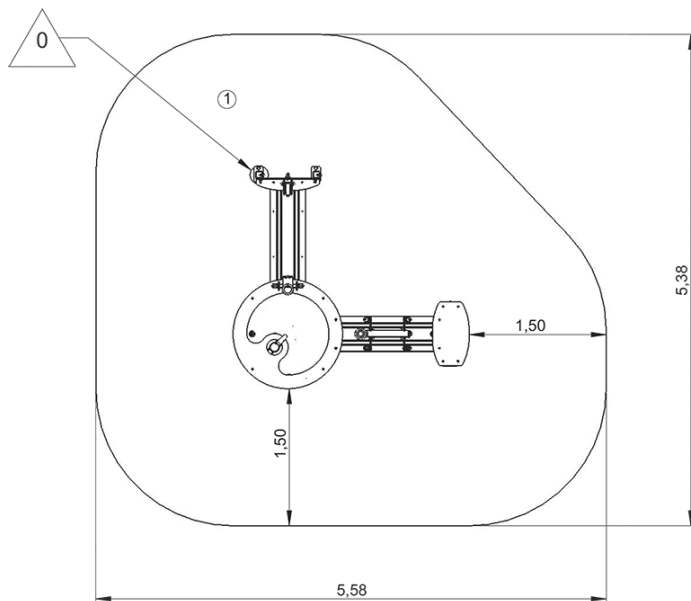


- ① Little river
- ② Tap
- ③ Splash out
- ④ Waterspout
- ⑤ Pump
- ⑥ Water-spray

Installation of equipment

Impact area =

- Impact area
- Free space



1	0m	25,5m ²



2



06h30



0m³



25.5m²



117kg



10kg



Proludic

0000-00-00