



1+



7



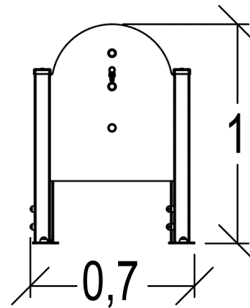
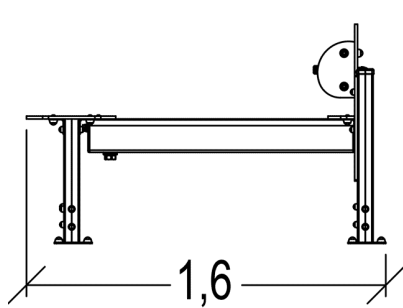
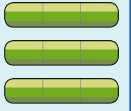
0m



1 = 1,57m 2 = 0,7m 3 = 1m



Motor disability  
Sensorial disabilities  
Learning disabilities



**Play value : 5**

role play



x1

meeting



x1

handling



x1

thinking

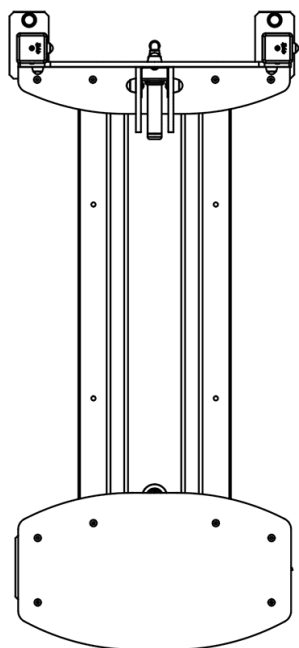


x1

tactile stimulation



x1

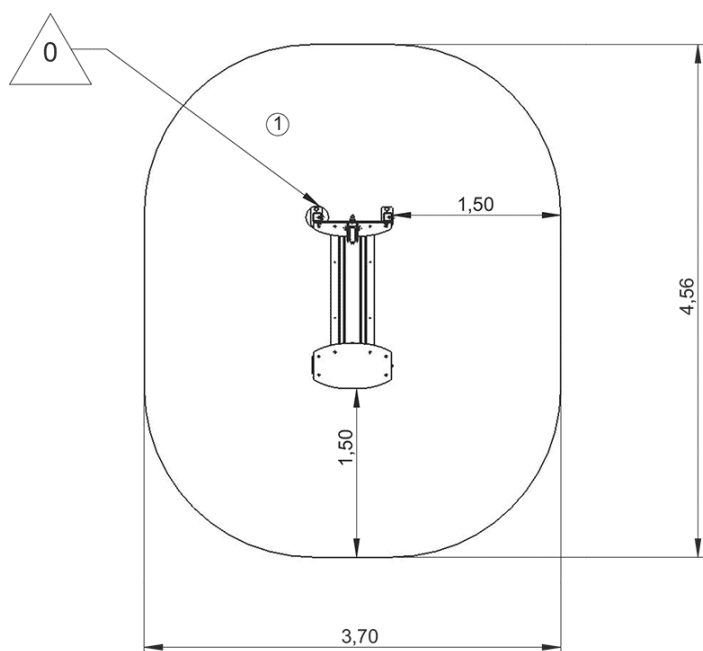


- ① Little river
- ② Tap

## Installation of equipment

Impact area =

- Impact area
- Free space



1	0m
	15m <sup>2</sup>

1	02h30	0m <sup>3</sup>	15m <sup>2</sup>	64kg	9kg		0000-00-00