
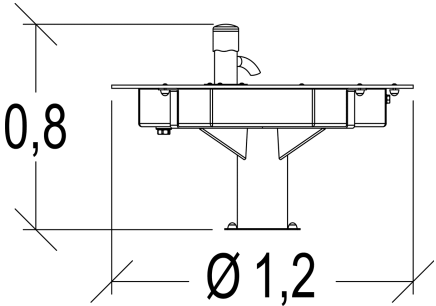
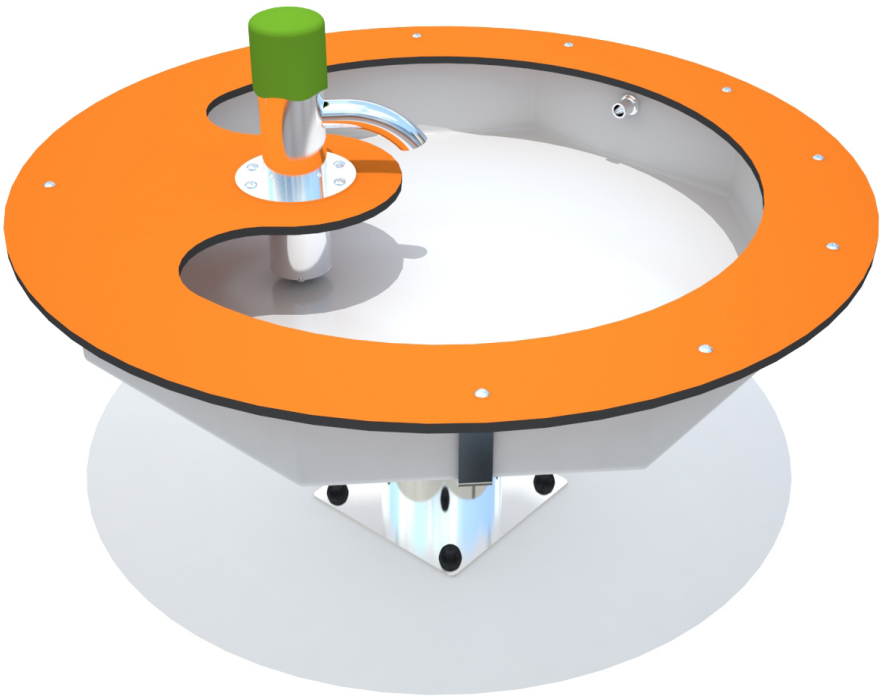







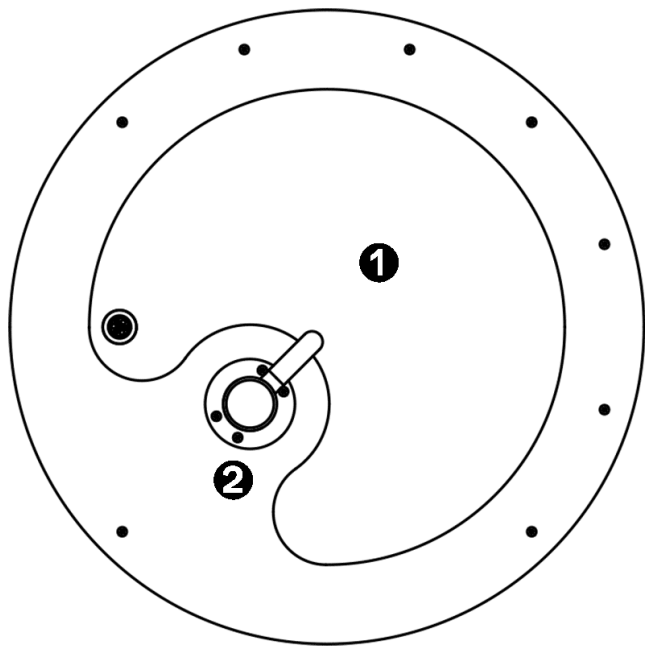
**1+** | **7** | **0m** | **1 = 1,2m 2 = 1,2m 3 = 0,8m**


 Motor disability   
 Sensorial disabilities   
 Learning disabilities



**Play value : 5**

 <p>role play</p> <p>x1</p>	 <p>meeting</p> <p>x1</p>	 <p>handling</p> <p>x1</p>	 <p>thinking</p> <p>x1</p>	 <p>tactile stimulation</p> <p>x1</p>
--	--	---	---	--

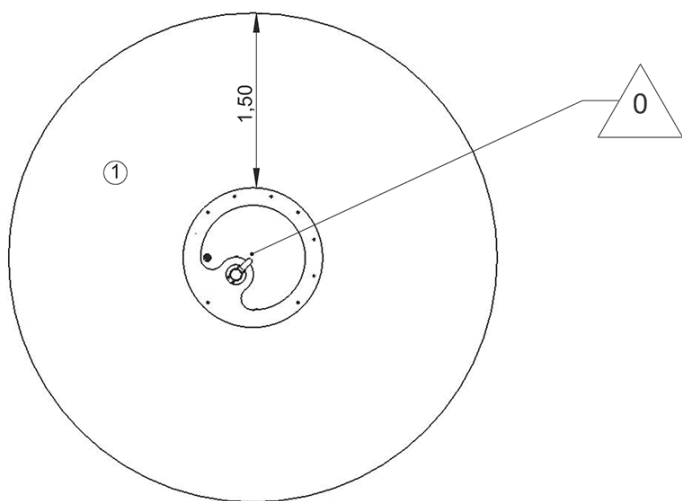


- 1 Splash out
- 2 Pump

## Installation of equipment

Impact area =

- Impact area
- Free space



1	0m	14m <sup>2</sup>

1	02h30	0m <sup>3</sup>	14m <sup>2</sup>	34kg	10kg		0000-00-00