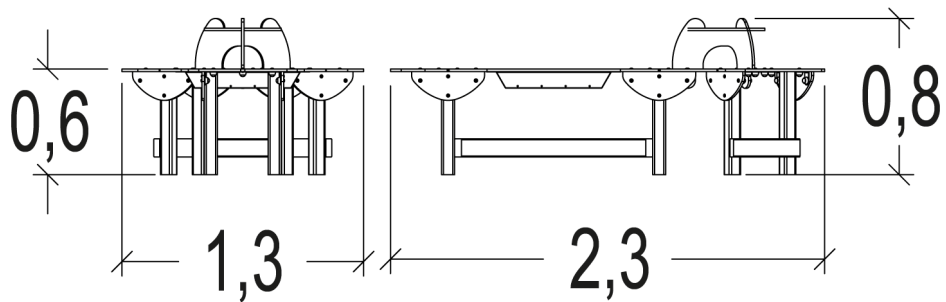
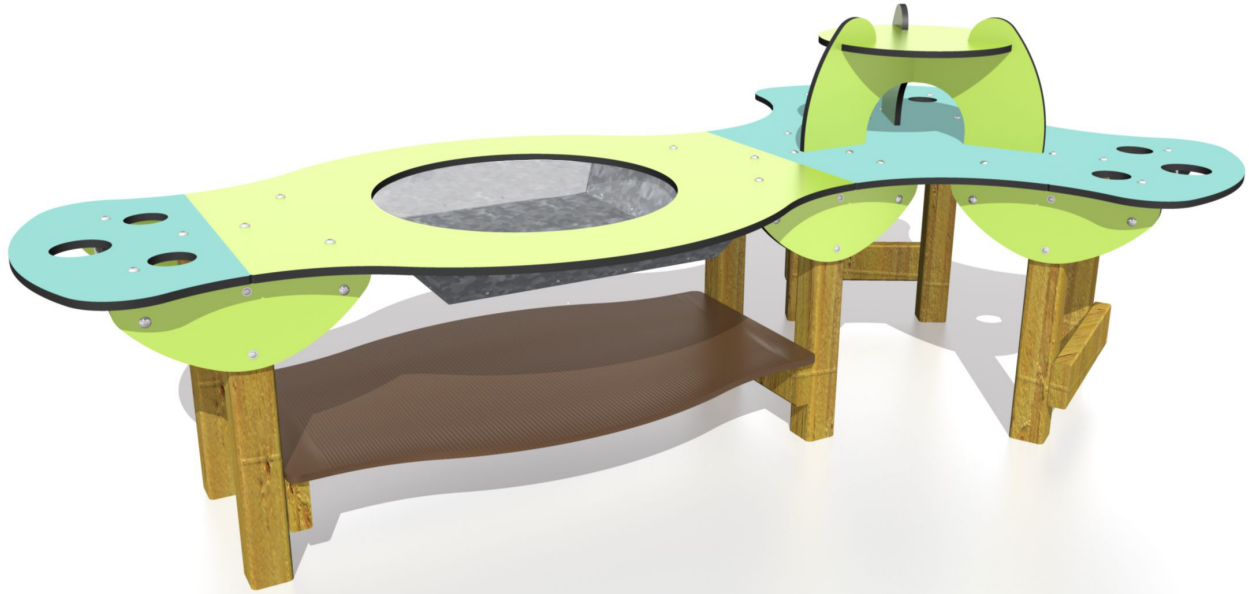


3+	10	0m	1 = 2,26m 2 = 1,26m 3 = 0,82m

	Motor disability	<input type="checkbox"/>
	Sensorial disabilities	<input type="checkbox"/>
	Learning disabilities	<input type="checkbox"/>



Play value : **3**

meeting

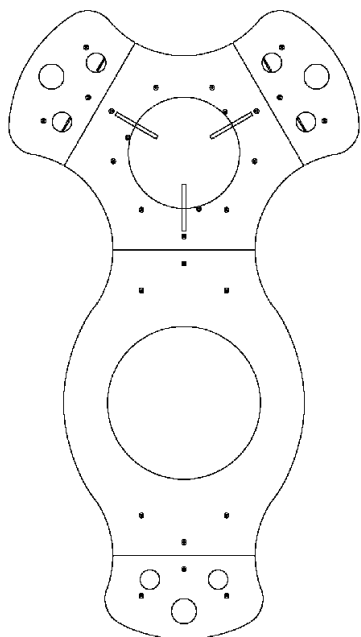


handling



Sensory play




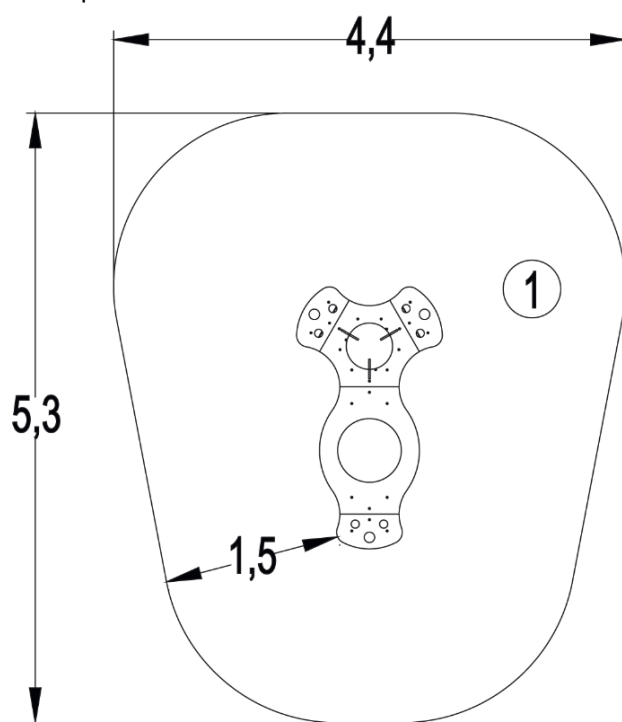




- ❶ ETAGERE
- ❷ ILOT D EXPO
- ❸ SUPPORT PLOTS
- ❹ PIED HT 550
- ❺ BAC

## Installation of equipment

Impact area =

-  Impact area
-  Free space



		
1	0m	20,5m <sup>2</sup>



2



04h00



0.22m<sup>3</sup>



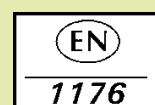
20.5m<sup>2</sup>



71kg



9kg



*Proludic*

0000-00-00