



2+



28



1,17m



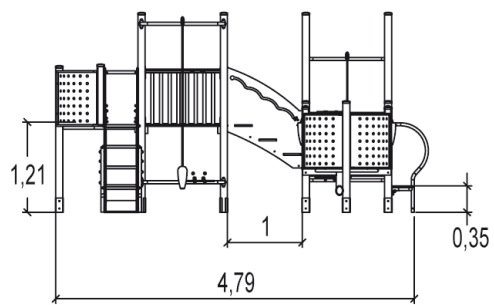
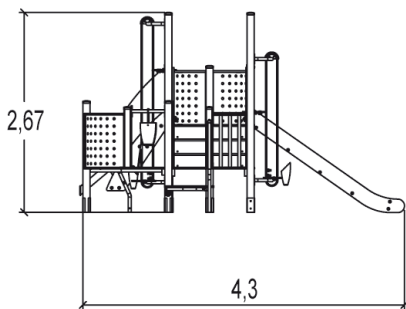
1 = 5m 2 = 4,4m 3 = 2,8m



Motor disability

Sensorial disabilities

Learning disabilities



Play value : **14**

sliding



x1

meeting



x5

handling

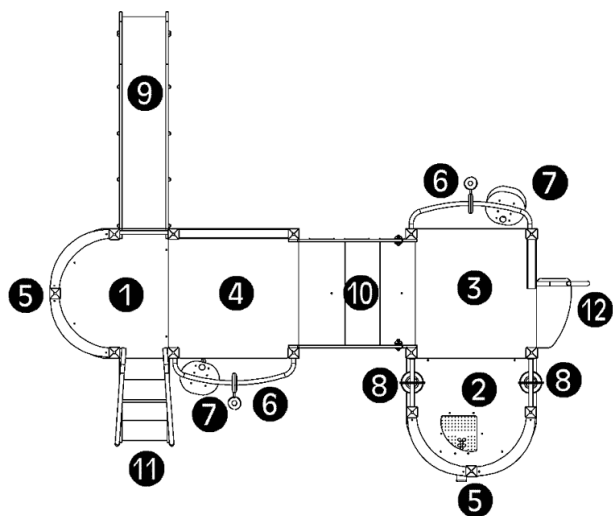


x5

climbing



x3

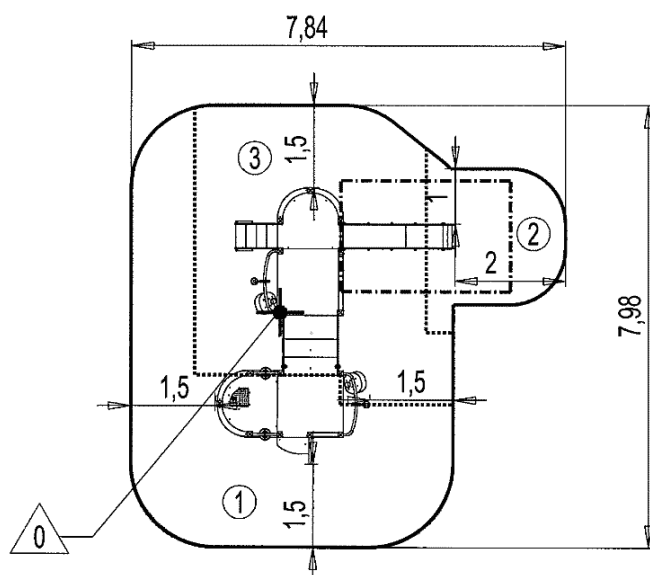


- ① Platform - 3 posts
- ② Sand effect platform - 4 posts
- ③ Square Platform 1.2mx1.2m HT: 0.6m
- ④ Square Platform 1.2mx1.2m HT: 1.17m
- ⑤ Double grey balcony
- ⑥ Crane HT: 0.6m and 1.17m
- ⑦ Gutter HT: 0.6m et 1.17m
- ⑧ Bucket
- ⑨ Slide
- ⑩ Stairs between platforms 0.6m L: 1m
- ⑪ Stairs (under 36 months)
- ⑫ 1 Step Access

Installation of equipment

Impact area =

- Impact area
- Free space



Point de Référence
Setting Out Point
Punto de referencia
Bezugspunkt

| 1 | 0,60m | 21m ² |
|---|-------|--------------------|
| 2 | 1,00m | 6m ² |
| 3 | 1,17m | 21,5m ² |



2



25h00



0.4m³



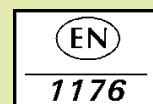
48.5m²



647kg



17kg



Proludic

2013-08-27