



3+



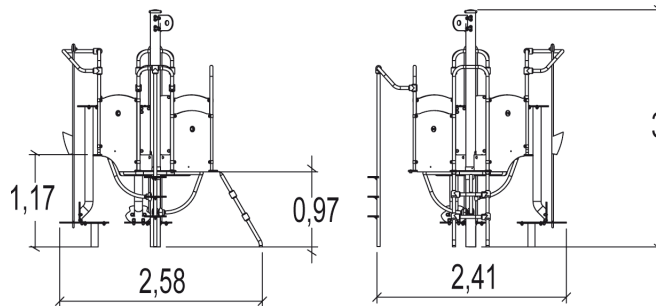
12



1,3m



1 = 2,58m 2 = 2,4m 3 = 3m



**Play value : 7**

role play



x1

meeting



x2

handling



x1

tactile stimulation

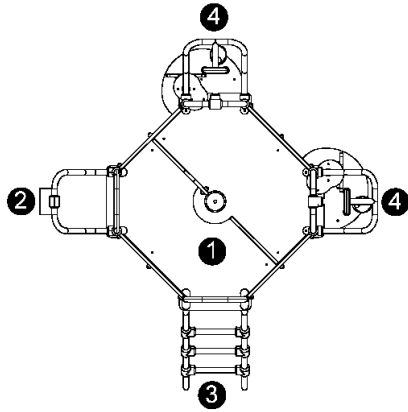


x1

climbing



x2

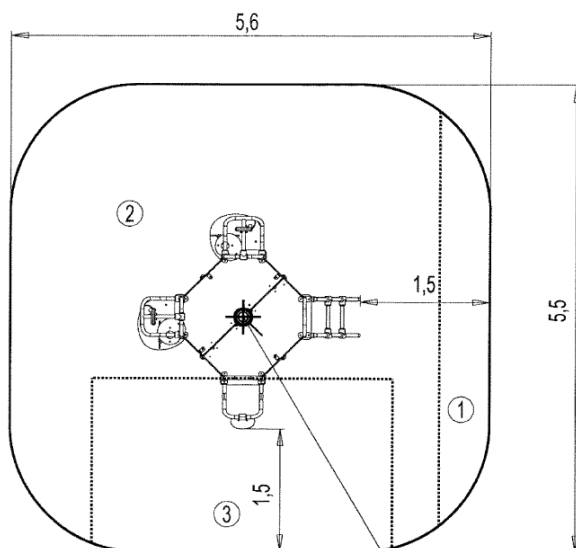


- ① Sahara Platform
- ② Coconut tree mast
- ③ Inclined ladder
- ④ Sand Play

## Installation of equipment

Impact area =

- Impact area
- Free space



Point de Référence  
Setting Out Point  
Punto de referencia  
Bezugspunkt

1	0,60m	2,5m <sup>2</sup>
2	1,17m	20m <sup>2</sup>
3	1,3m	7,5m <sup>2</sup>



2



10h30



0.2m<sup>3</sup>



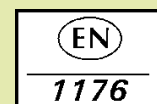
29m<sup>2</sup>



299kg



35kg



*Proludic*

2012-10-09