



6+



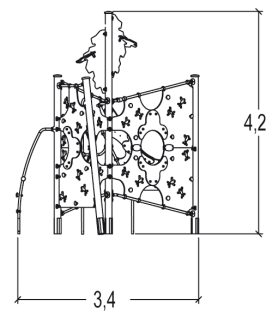
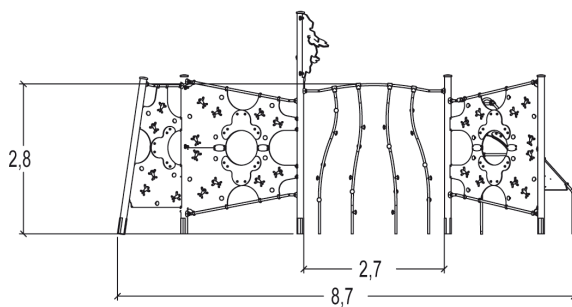
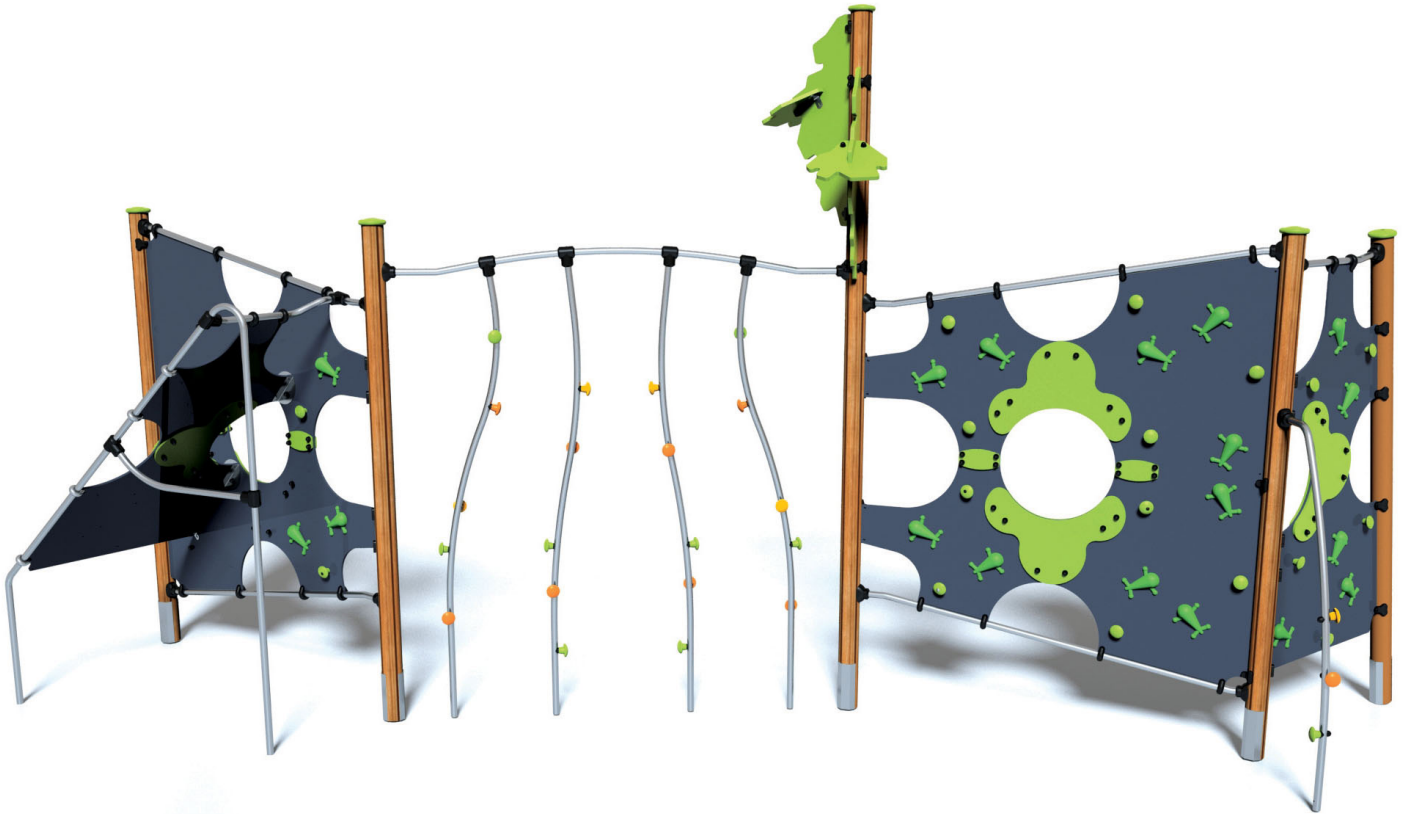
20



2,9m



1 = 8,3m 2 = 1,9m 3 = 4,2m



Play value : 9

climbing



x4

climbing

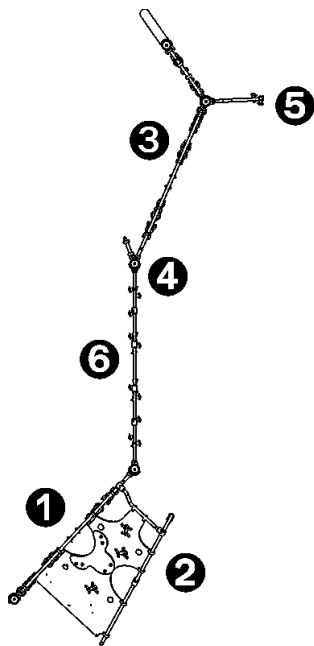


x1

getting across



x4

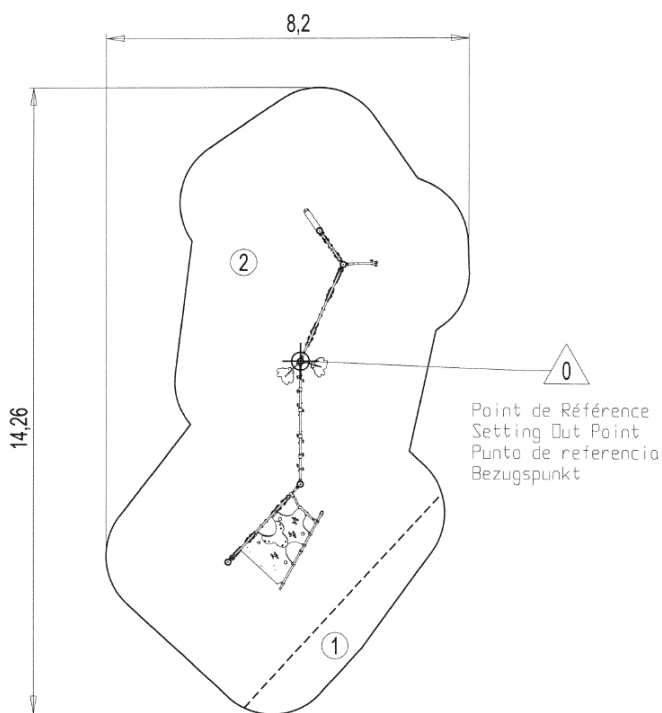


- ① Rhombus
- ② Incline
- ③ Vertical
- ④ Amazone themed post
- ⑤ Climbing tubes
- ⑥ Climbing pole

Installation of equipment

Impact area =

- Impact area
- Free space



| 1 | 2,6m | 5,5m ² |
|---|------|--------------------|
| 2 | 2,9m | 71,5m ² |



4



08h00



0.5m³



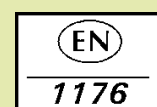
77m²



548kg



44kg



Proludic

0000-00-00