



6+



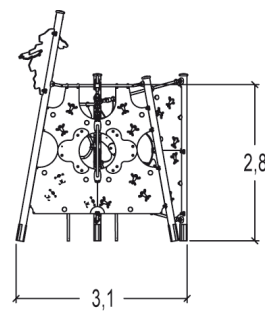
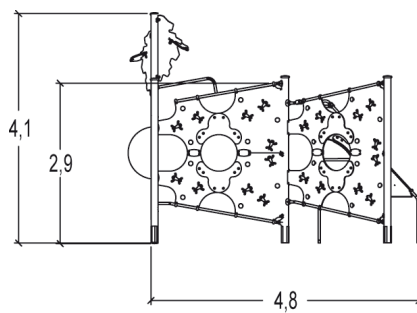
15



2,9m



1 = 5,25m 2 = 3,1m 3 = 4,16m



Play value : 4

climbing

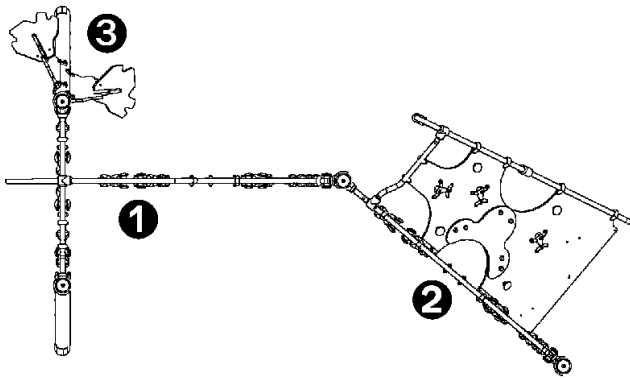


x2

getting across



x2

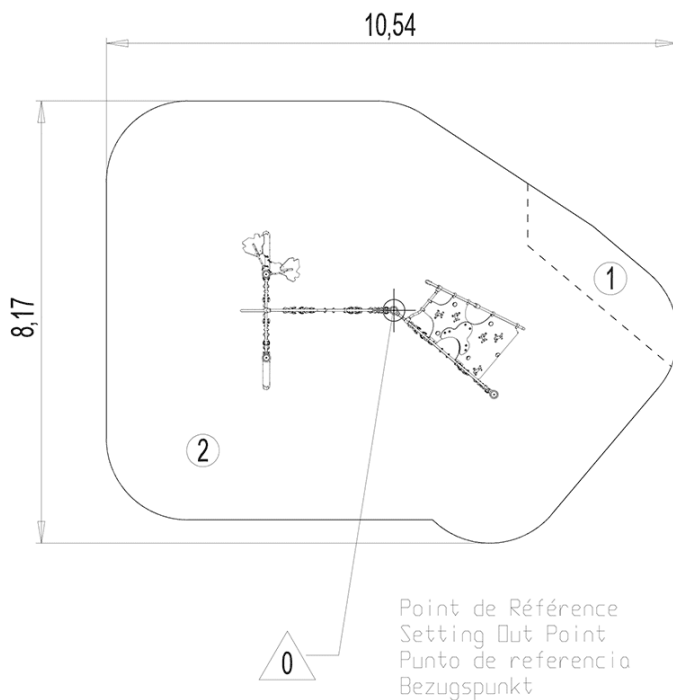




- ① Big T
- ② Incline
- ③ Amazone themed post

Installation of equipment

Impact area =

-  Impact area
-  Free space



		
1	2,6m	4m ²
2	2,9m	65,5m ²



4



07h00



0.3m³



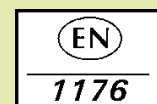
69.5m²



519kg



44kg



Proludic

0000-00-00