



5+



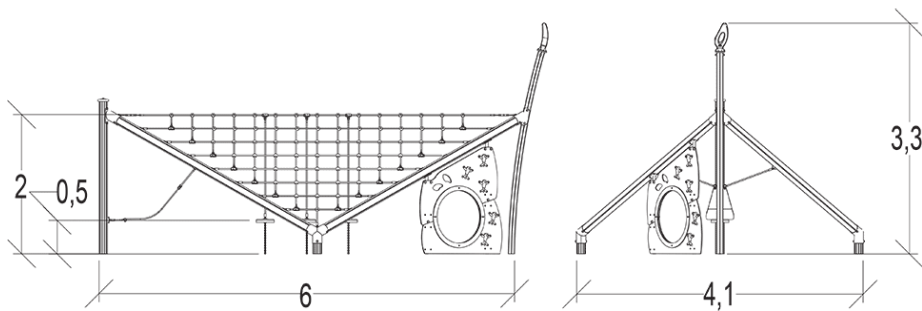
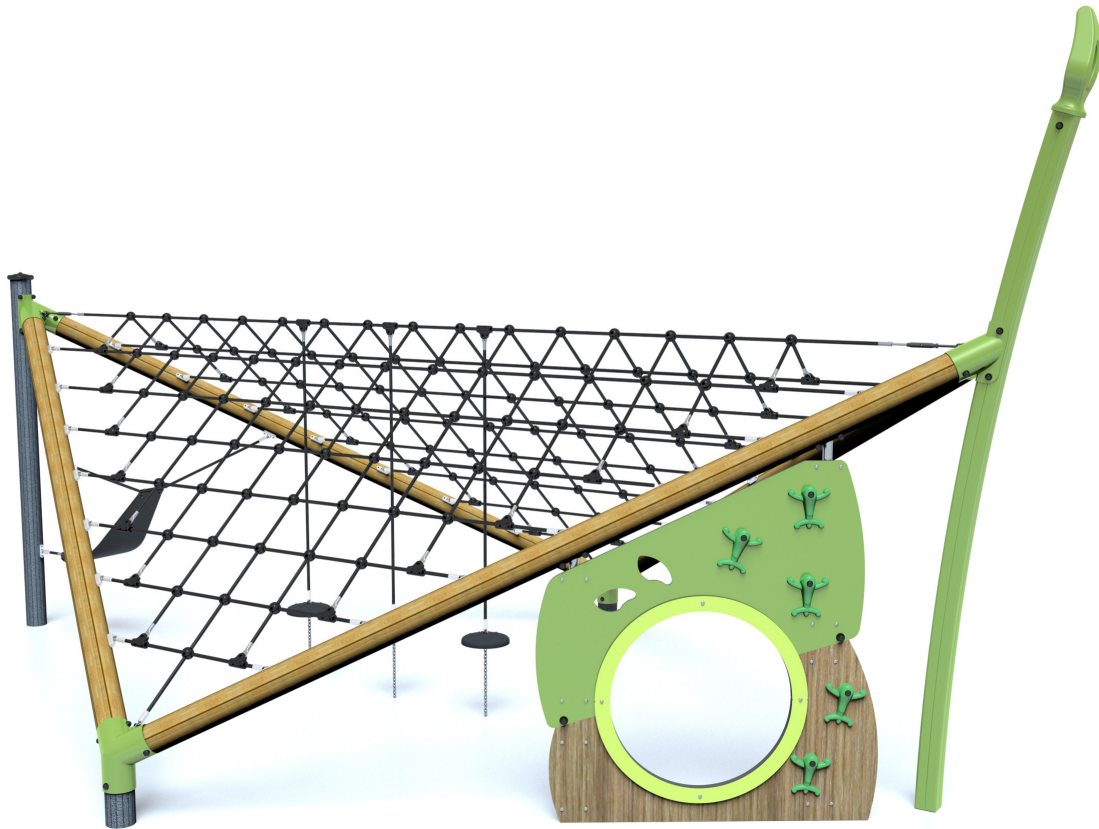
15



2m



1 = 6,53m 2 = 4,14m 3 = 3,53m



Play value : 9

climbing



x1

meeting



x2

resting



x2

climbing

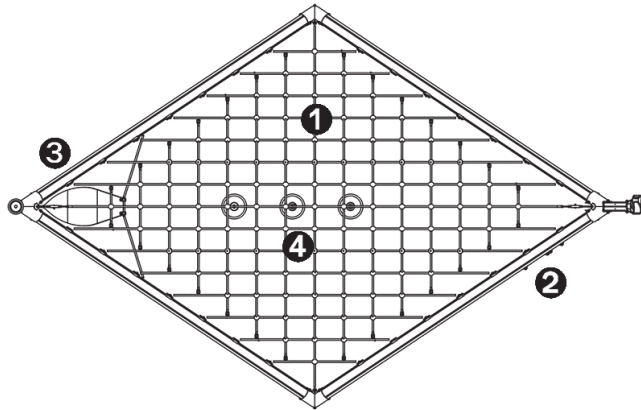


x2

getting across



x2

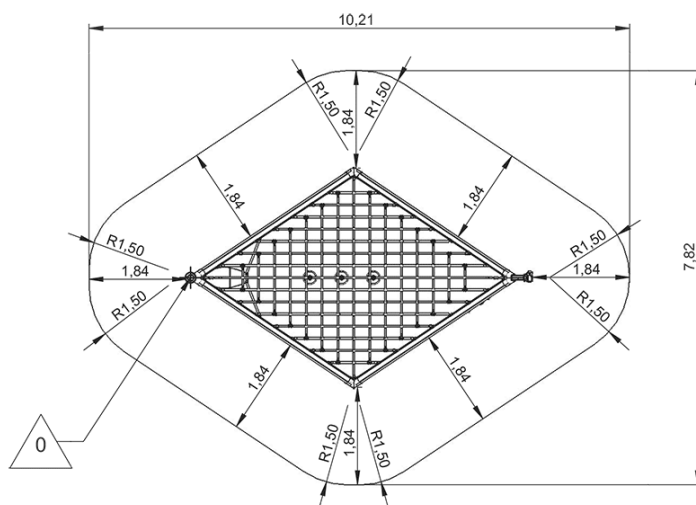


- 1 Net
- 2 Tunnel panel
- 3 Hammock
- 4 Suspended seat

Installation of equipment

Impact area =

- Impact area
- Free space



1	2m
	52m ²



2



08h00



0.9m³



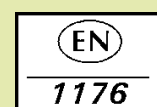
52m²



383kg



37kg



Proludic

0000-00-00