



5+



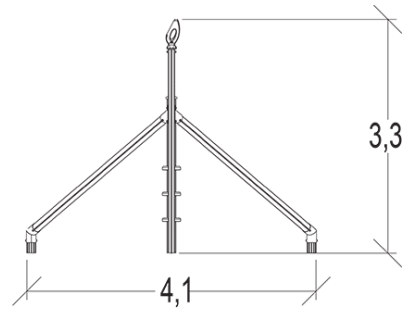
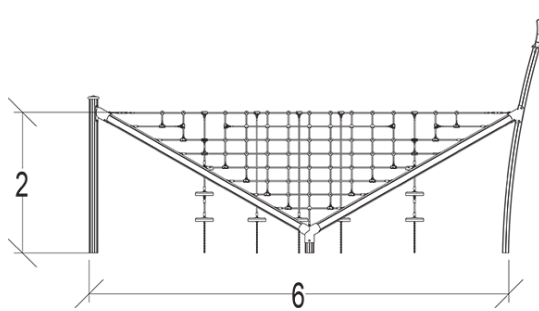
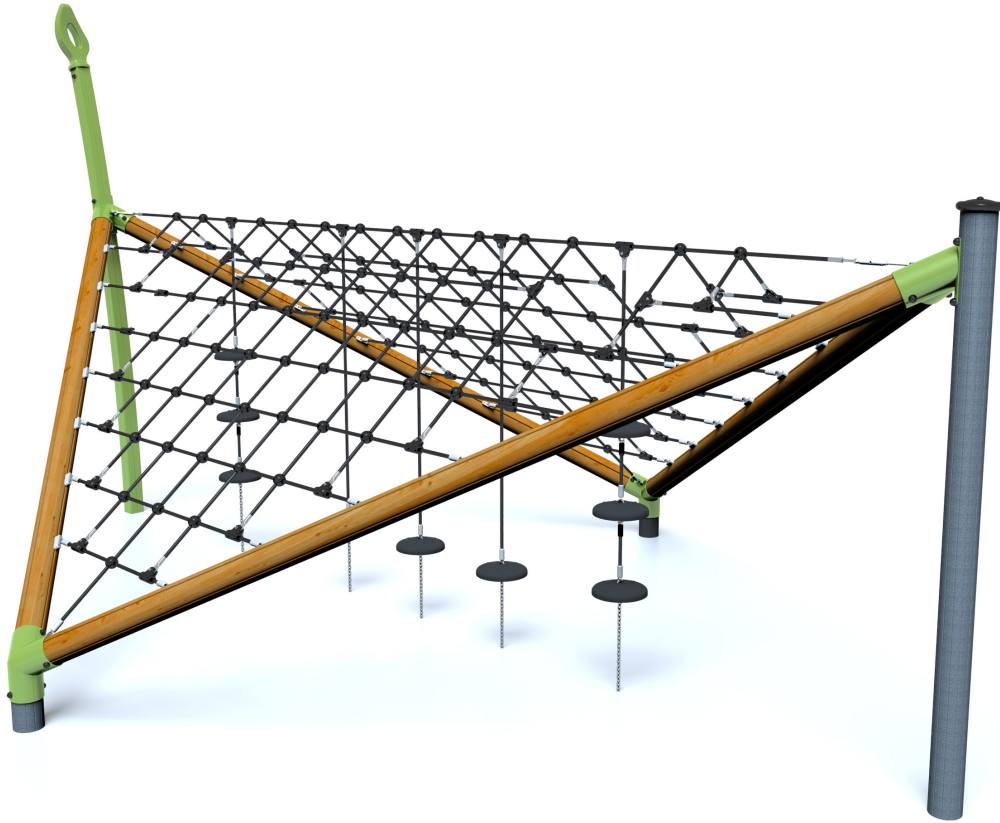
17



2m



1 = 6,53m 2 = 4,14m 3 = 3,53m



Play value : 8

meeting



x2

resting



x1

climbing

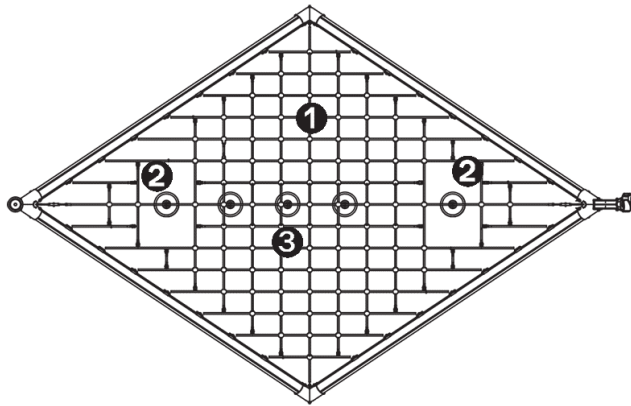


x3

getting across



x2

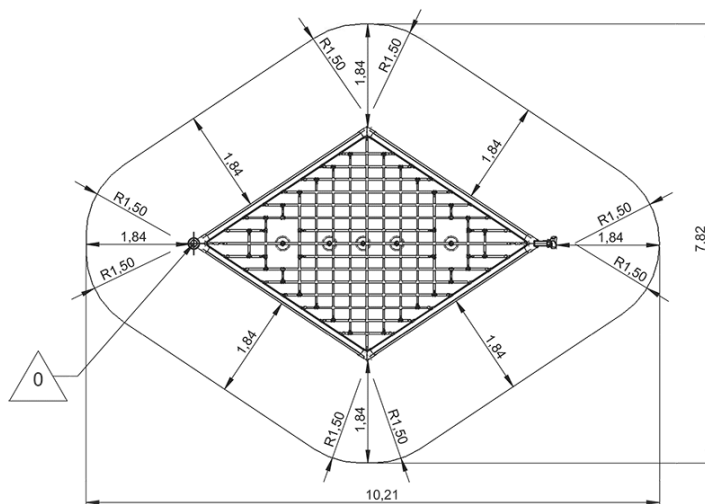


- 1 Open Net
- 2 Climbing rope
- 3 Suspended seat

Installation of equipment

Impact area =

- Impact area
- Free space



1	2m
52m ²	



2



07h15



0.8m³



52m²



397kg



37kg



Proludic

0000-00-00