



3+



5



1,77m



1 = 4,45m 2 = 2,25m 3 = 2,71m



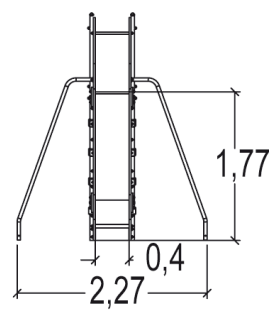
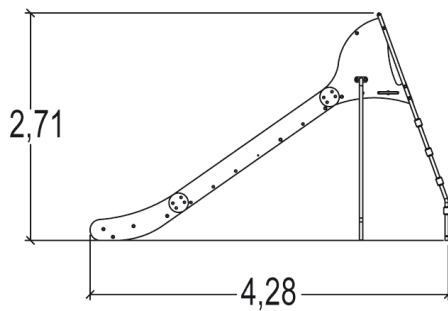
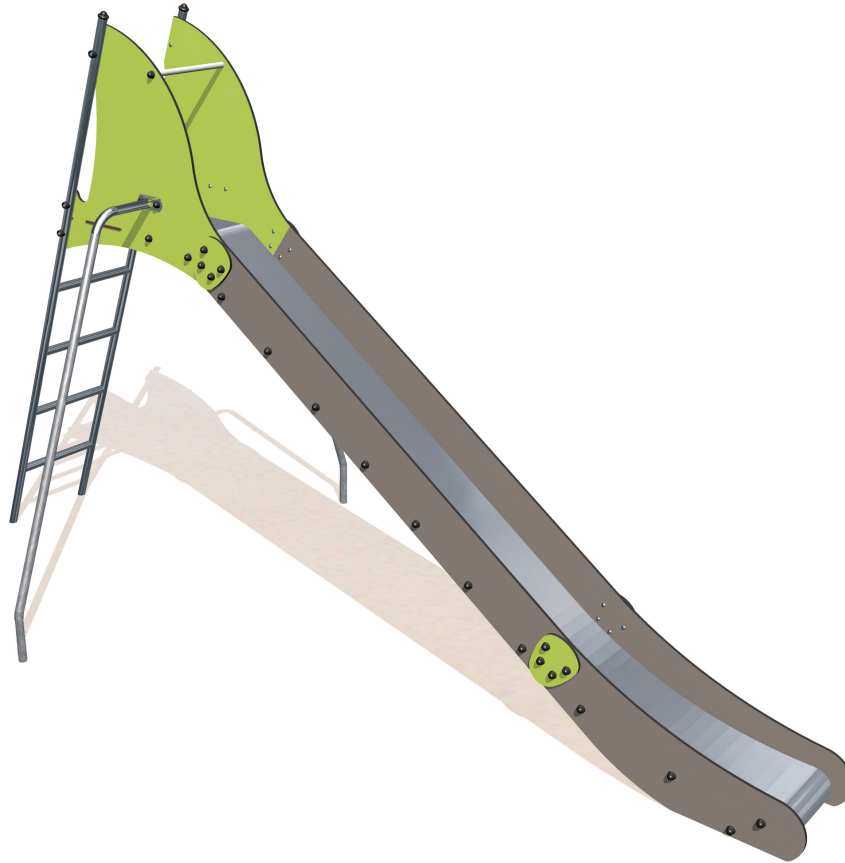
Motor disability



Sensorial disabilities



Learning disabilities



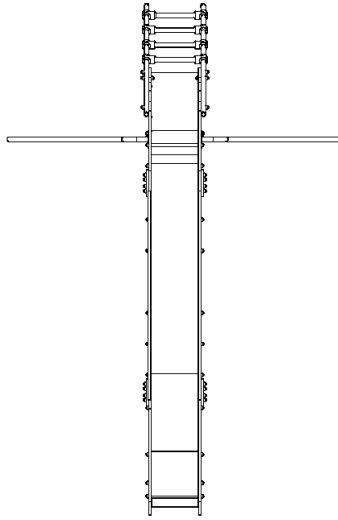
Play value : 2

sliding



climbing

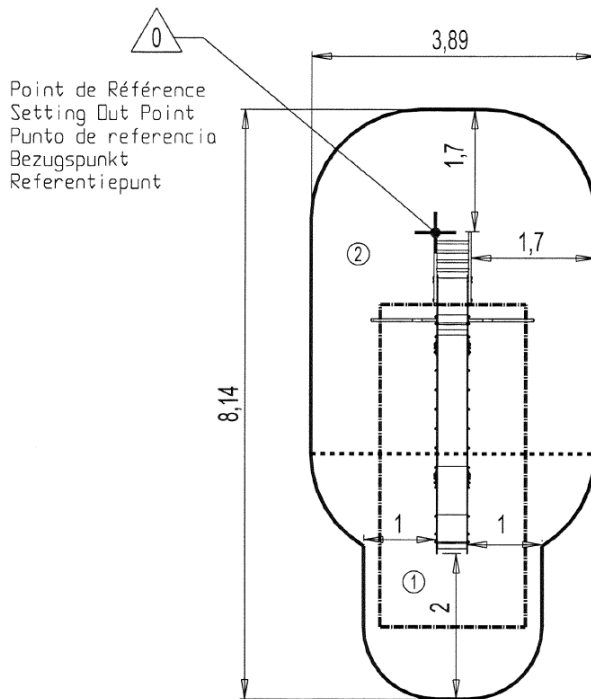






Installation of equipment

Impact area =

-  Impact area
-  Free space



		
1	1,00m	9,5m ²
2	1,77m	17,5m ²



2



04h30



0.2m³



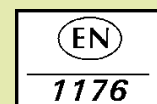
27m²



141kg



25kg



Proludic

2013-01-15