



1+



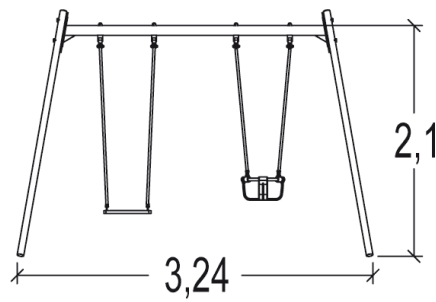
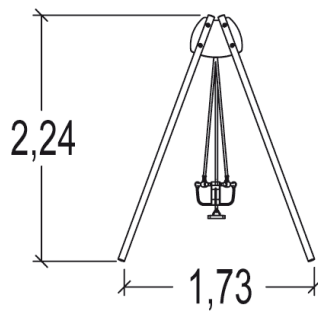
2



1,2m



1 = 3,24m 2 = 1,8m 3 = 2,24m



Play value : 3

meeting / role play

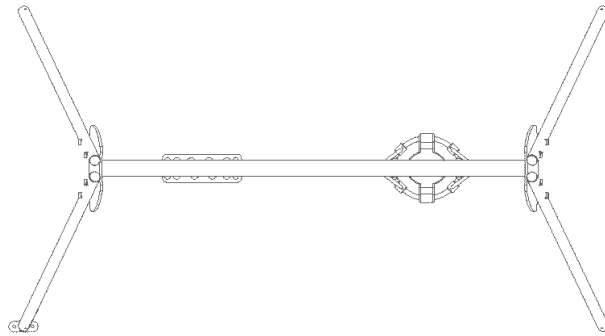


hiding / resting



swinging





## Installation of equipment

Impact area =

 Impact area  
 Free space



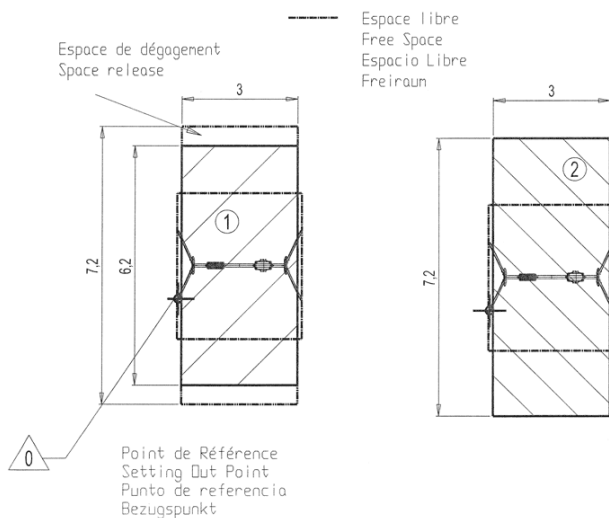
Zone d'Impact Sol souple  
 Impact Area Wetpour  
 Area de Impacto  
 Fallraum bei synthetischen Fallschutz



Zone d'Impact Sol fluent  
 Impact Area Loose particle material  
 Arenero  
 Fallraum bei losen Bodenmaterial



1	1,2m	19m <sup>2</sup>
2	1,2m	22m <sup>2</sup>



2



01h30



0.11m<sup>3</sup>



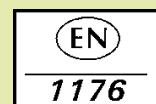
19m<sup>2</sup>



99kg



30kg



*Proludic*

2009-09-01