



1+



2



1,2m



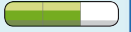
1 = 3,3m 2 = 1,87m 3 = 2,28m



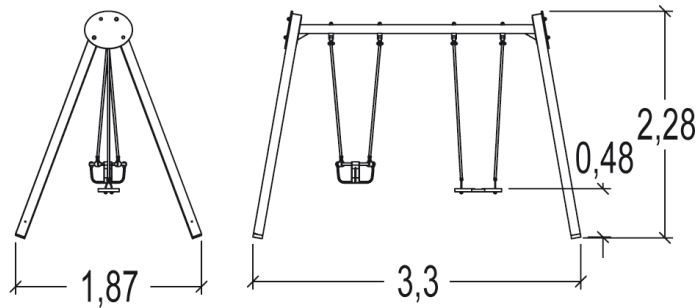
Motor disability



Sensorial disabilities



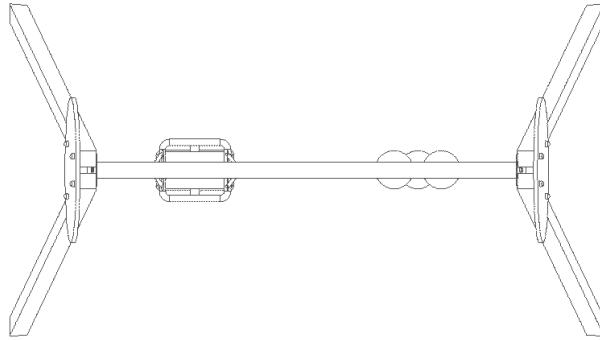
Learning disabilities



Play value : 1

swinging





Installation of equipment

Impact area =

 Impact area
 Free space





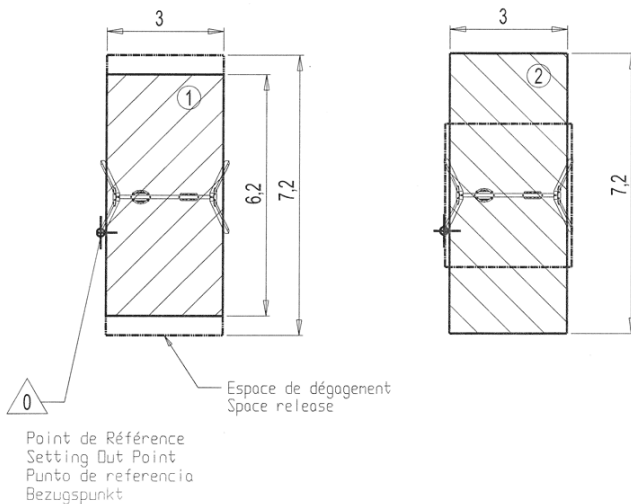
Zone d'Impact Sol souple
 Impact Area Wetpour
 Area de Impacto
 Fallraum bei synthetischen Fallschutz

 Espace libre
 Free Space
 Espacio Libre
 Freiraum



Zone d'Impact Sol fluent
 Impact Area Loose particle material
 Arenero
 Fallraum bei losen Bodenmaterial

		
1	1,2m	19m ²
2	1,2m	22m ²



2



01h30



0.11m³



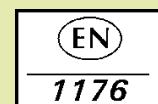
19m²



130kg



30kg



Proludic

2013-02-12