



2+



5



1,55m



1 = 3,43m 2 = 2,2m 3 = 2,6m



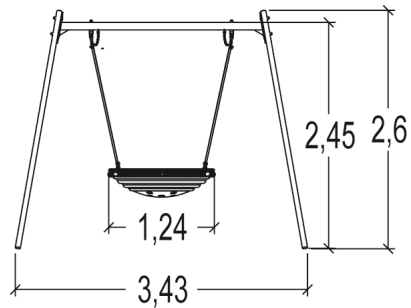
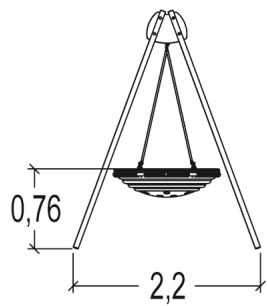
Motor disability



Sensorial disabilities



Learning disabilities



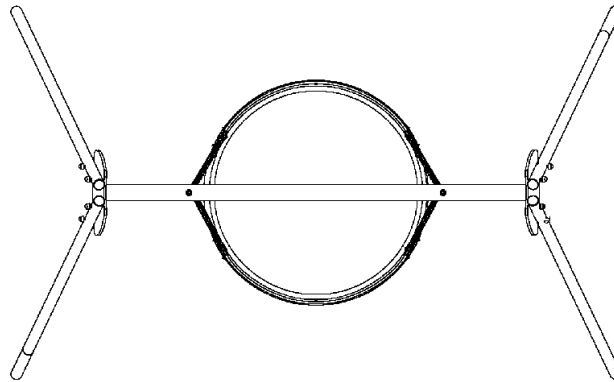
Play value : 2

swinging



meeting / role play

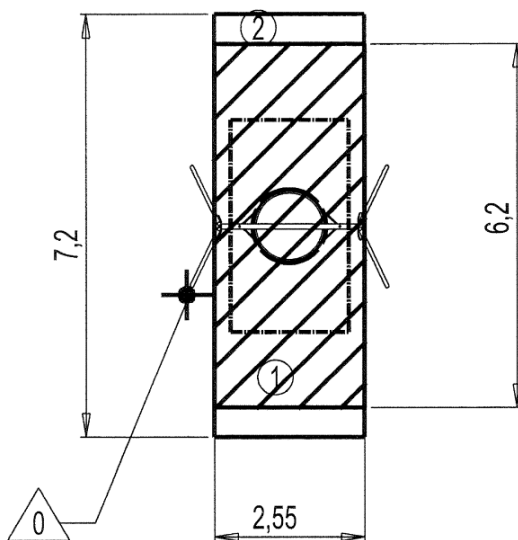






## Installation of equipment

Impact area =

-  Impact area
-  Free space



Point de Référence  
 Setting Out Point  
 Punto de referencia  
 Bezugspunkt  
 Referentiepunt

		
1	1,55m	16m <sup>2</sup>
2	1,55m	18,5m <sup>2</sup>



2



04h00



0.26m<sup>3</sup>



16m<sup>2</sup>



113kg



33kg



*Proludic*

2014-09-02