



1+



18



0,6m



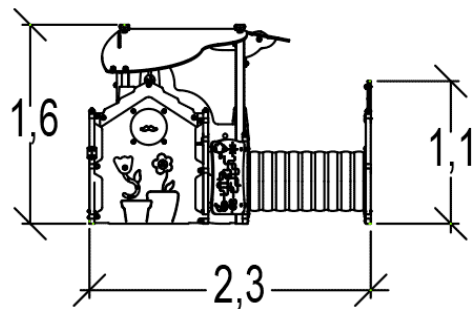
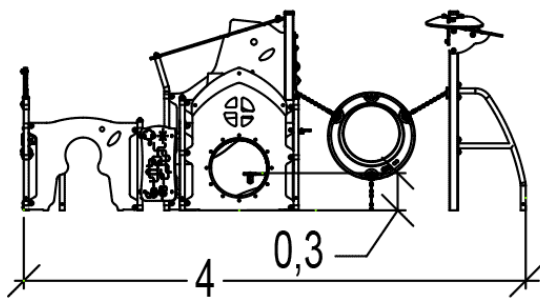
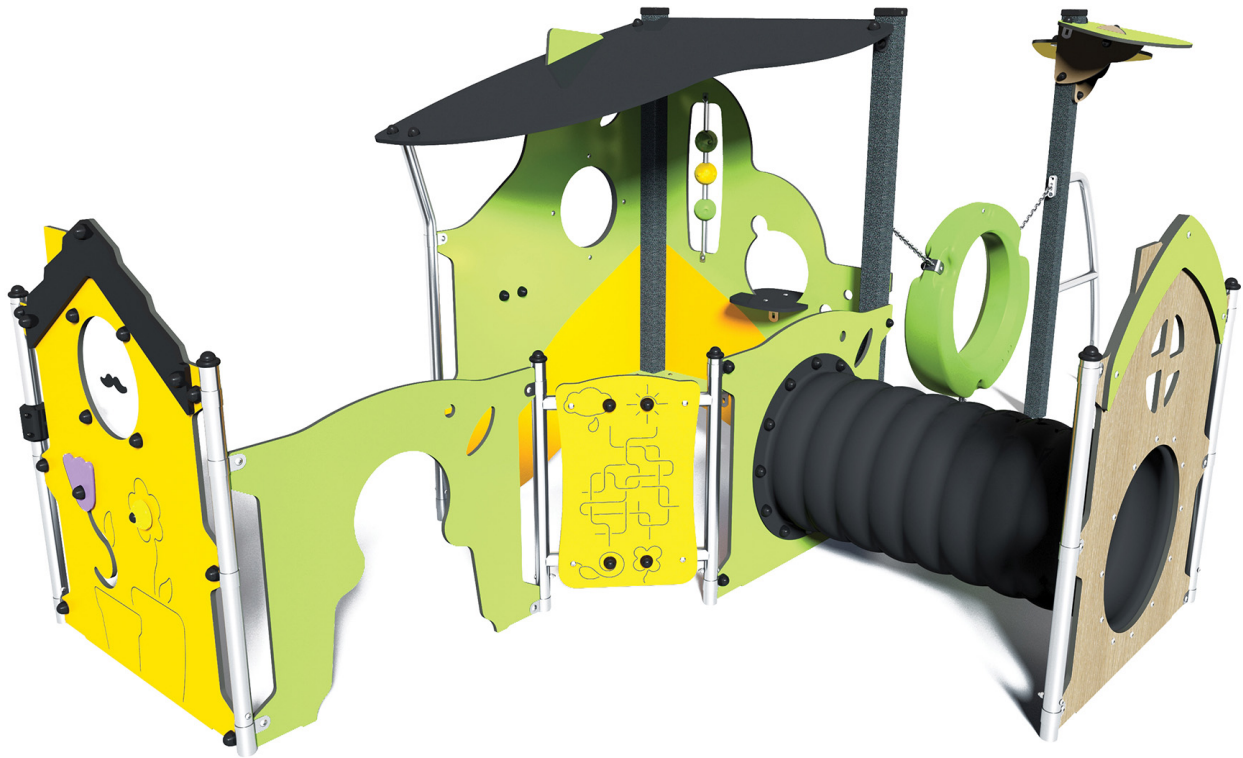
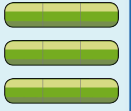
1 = 4,04m 2 = 2,28m 3 = 1,6m



Motor disability

Sensorial disabilities

Learning disabilities



Play value :

22

role play



x2

meeting



x2

resting



x2

handling



x3

crawling



x2

hiding



x1

balancing



x1

taking shelter



x1

thinking



x2

tactile stimulation



x1

visual stimulation



x1

climbing

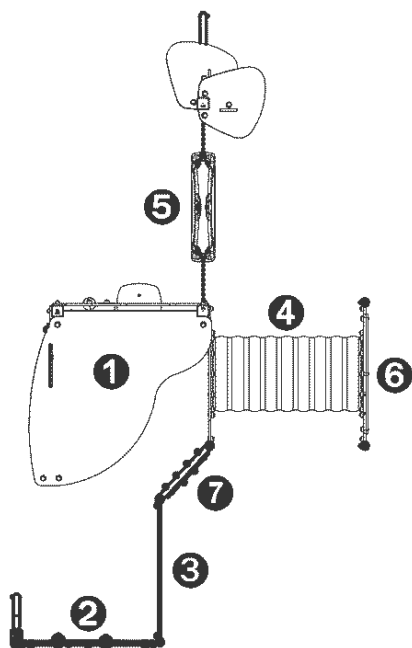


x2

getting across



x2

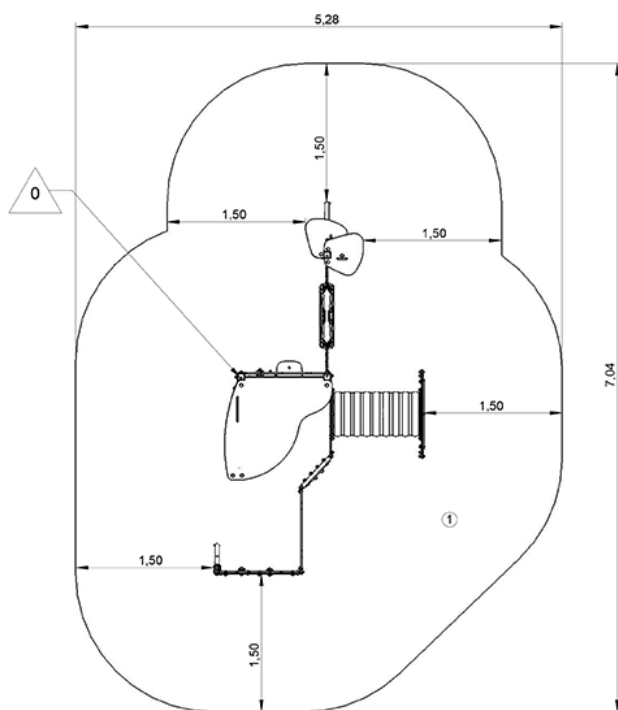


- ① Corner Diabolo
- ② Panneau Silhouette
- ③ Panneau Météo
- ④ Tunnel Maisonnette
- ⑤ Bouée
- ⑥ Panneau Haut Maisonnette
- ⑦ Labyrinthe Kanopé

Installation of equipment

Impact area =

- Impact area
- Free space



1	0,6m	29,5m ²

2	06h00	0.4m ³	29.5m ²	211kg	16kg		0000-00-00