



1+



17



0,6m



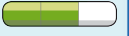
1 = 4,04m 2 = 2,28m 3 = 1,6m



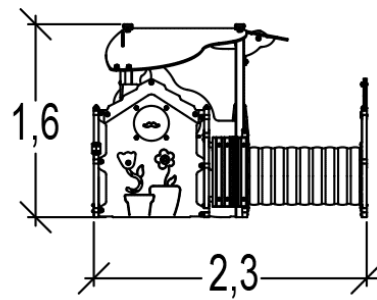
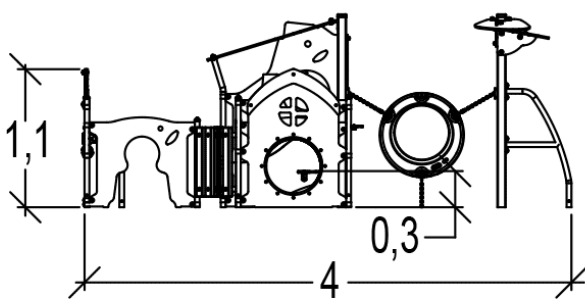
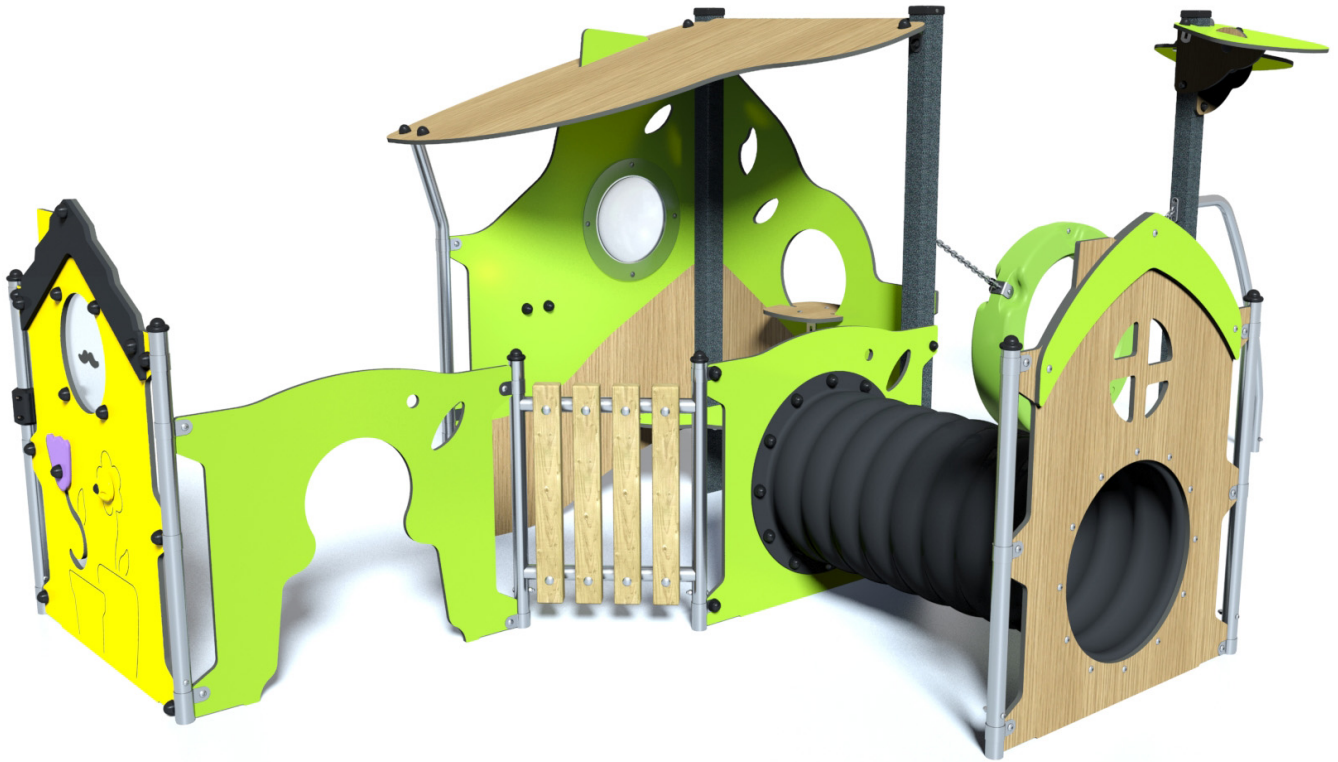
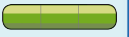
Motor disability



Sensorial disabilities



Learning disabilities



Play value :

20

role play



x2

meeting



x2

resting



x2

handling



x2

crawling



x2

hiding



x1

balancing



x1

taking shelter



x1

thinking



x1

visual stimulation



x2

climbing

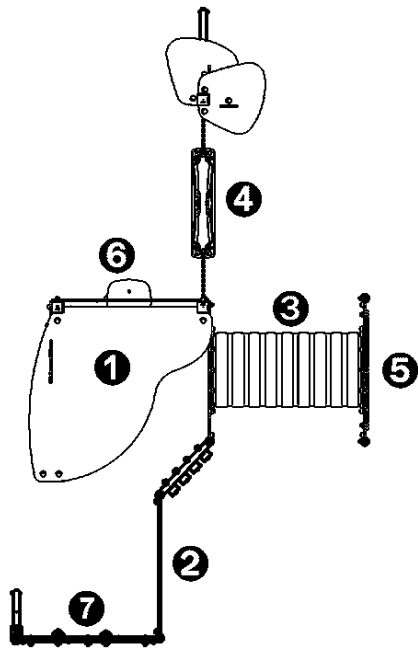


x2

getting across



x2

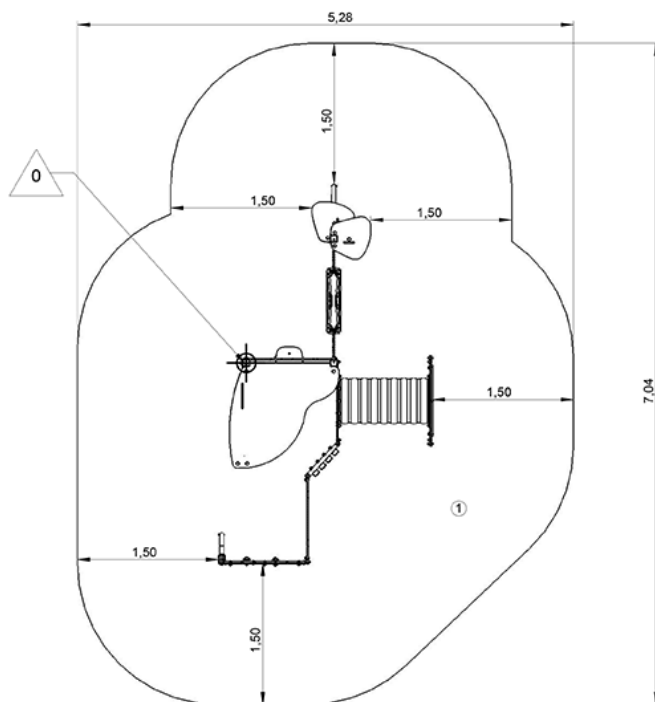


- ① Corner Kanopé
- ② Panneau Silhouette
- ③ Tunnel Maisonnette
- ④ Bouée
- ⑤ Panneau Haut Maisonnette
- ⑥ Labyrinthe Kanopé
- ⑦ Hublot

Installation of equipment

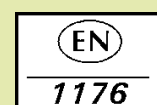
Impact area =

- Impact area
- Free space



1	0,6m	29,5m ²

2	06h00	0.4m ³	29.5m ²	216kg	16kg



0000-00-00