



1+



15



0,6m



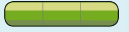
1 = 2,97m 2 = 1,9m 3 = 1,6m



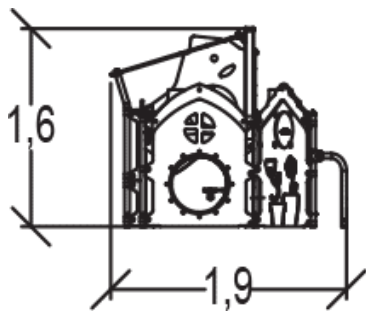
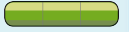
Motor disability



Sensorial disabilities



Learning disabilities



Play value :

16

role play



x2

meeting



x2

resting



x1

handling



x3

crawling



x1

hiding



x1

taking shelter



x1

visual stimulation

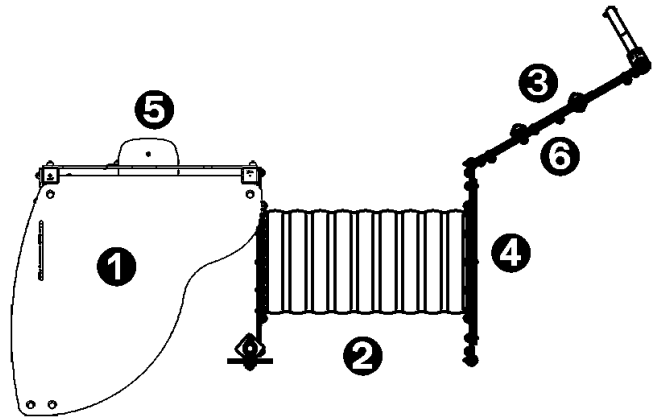


x4

getting across



x1

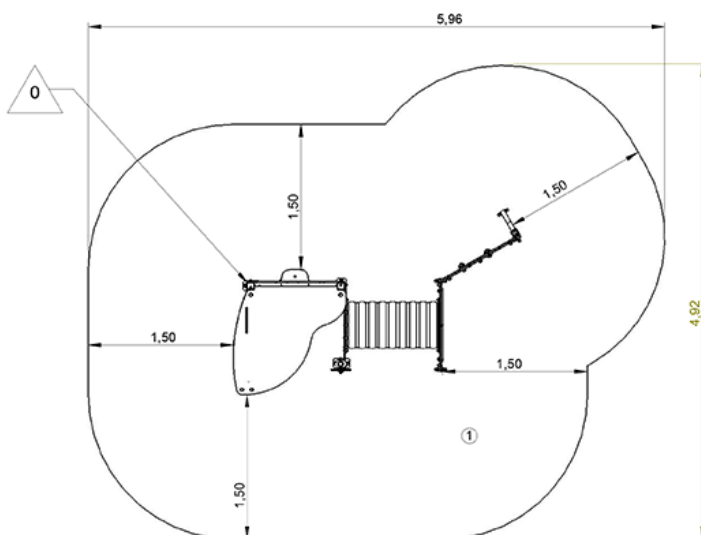




- ❶ Corner Kanopé
- ❷ Tunnel Maisonnette
- ❸ Panneau Smiley
- ❹ Panneau Haut Maisonnette
- ❺ Hublot
- ❻ Spinning disc

## Installation of equipment

Impact area =

-  Impact area
-  Free space



		
1	0,6m	23,5m <sup>2</sup>



2



05h00



0.25m<sup>3</sup>



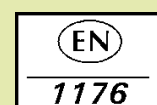
23.5m<sup>2</sup>



166kg



16kg



*Proludic*

0000-00-00