



1+



10



0,6m



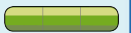
1 = 1,3m 2 = 1,1m 3 = 1,6m



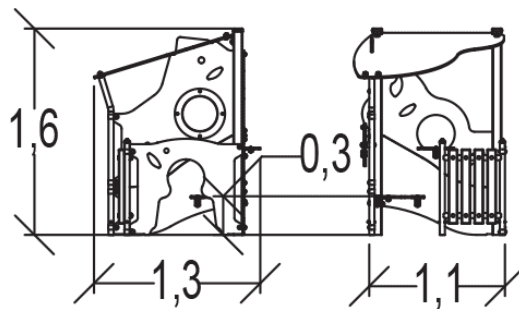
Motor disability



Sensorial disabilities



Learning disabilities



Play value :

9

role play



x1

meeting



x1

resting



x1

handling



x1

crawling



x1

taking shelter



x1

thinking



x1

visual stimulation

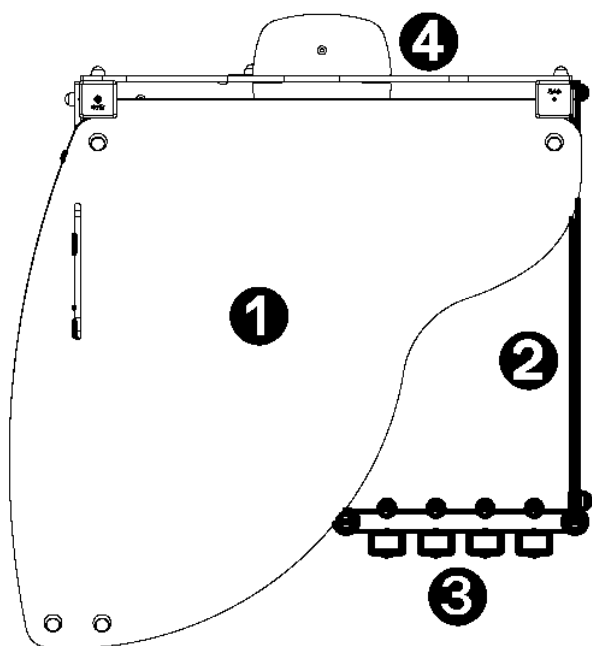


x1

getting across



x1

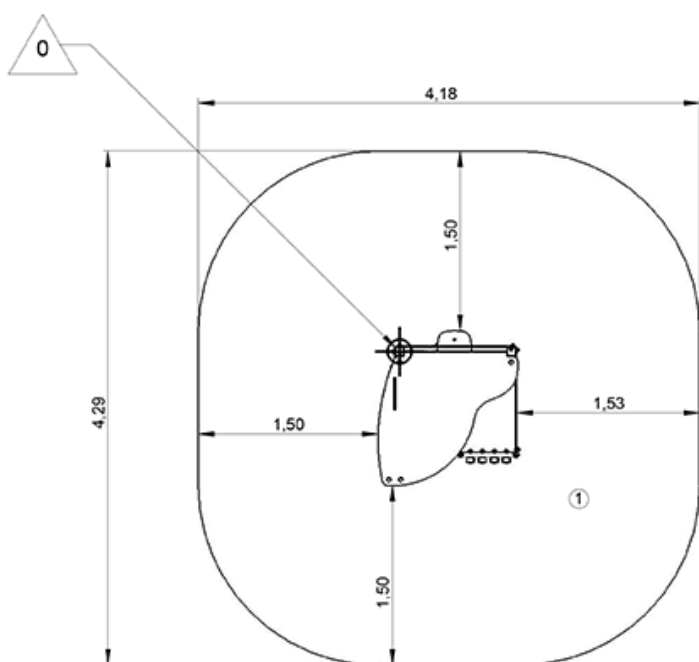


- 1 Corner Kanopé
- 2 Panneau Silhouette
- 3 Labyrinthe Kanopé
- 4 Hublot

Installation of equipment

Impact area =

- Impact area
- Free space



1	0,6m	16m ²

2	02h50	0.15m ³	16m ²	115kg	16kg		0000-00-00