



1-8



7



0,55m



1 = 2,6m 2 = 2,4m 3 = 2m



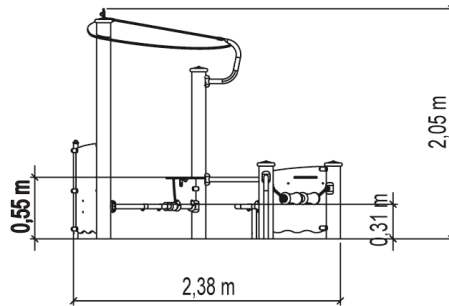
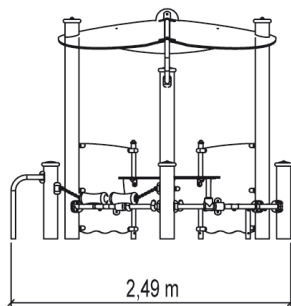
Motor disability



Sensorial disabilities



Learning disabilities



Play value : 8

role play



x1

meeting



x3

resting

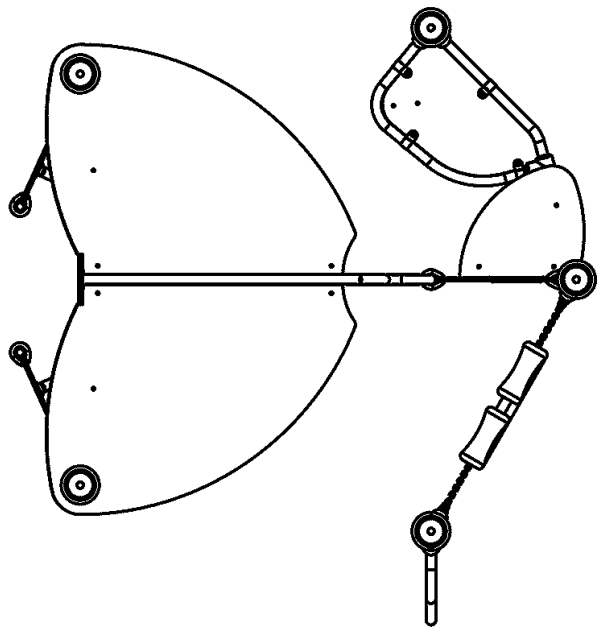


x3

taking shelter



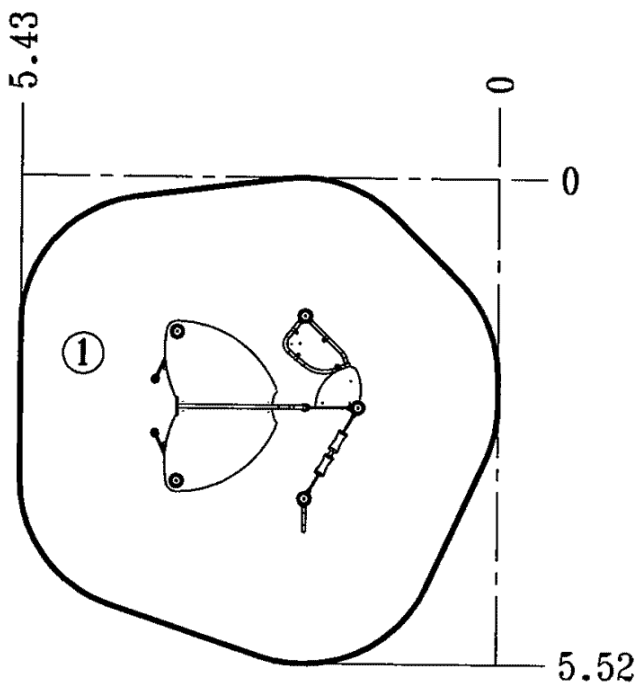
x1











Installation of equipment

Impact area =

-  Impact area
-  Free space



		
1	0,55m	24,5m ²

					
2	03h00	0.5m ³	24.5m ²	217kg	19kg

