



1-8



7



0,55m



1 = 1,95m 2 = 1,55m 3 = 2m



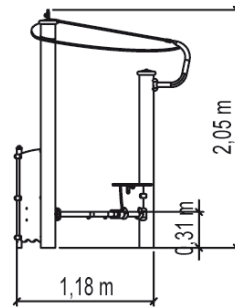
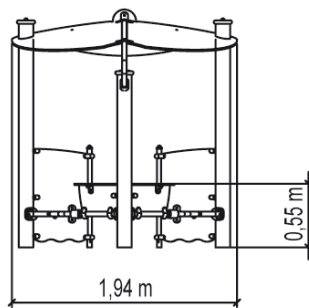
Motor disability



Sensorial disabilities



Learning disabilities



Play value : 4

role play



x1

meeting



x1

resting

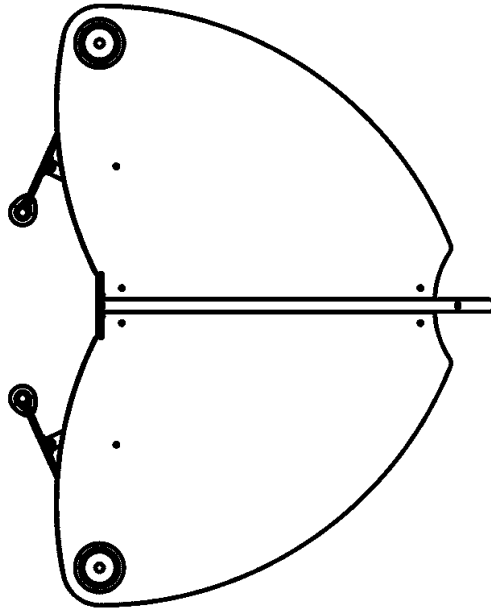


x1

taking shelter



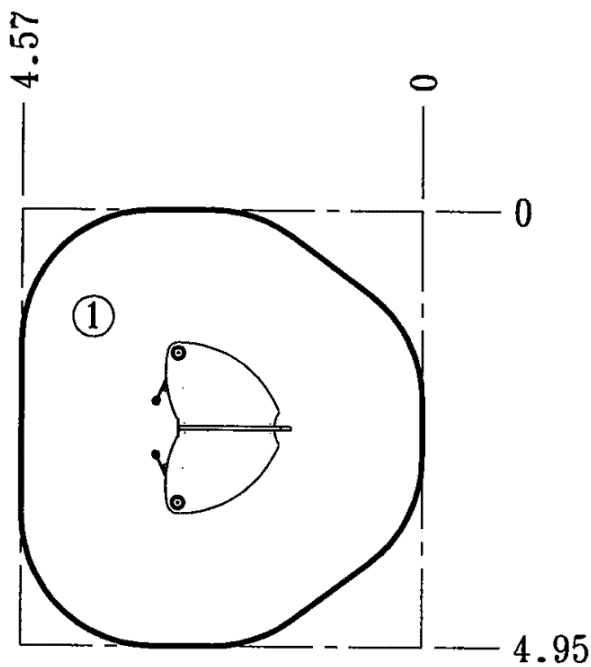
x1





## Installation of equipment

Impact area =

 Impact area  
 Free space



		
1	0,55m	19m <sup>2</sup>



2



03h00



0.2m<sup>3</sup>



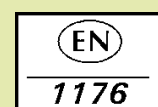
19m<sup>2</sup>



153kg



19kg



*Proludic*

2007-01-01