



3+



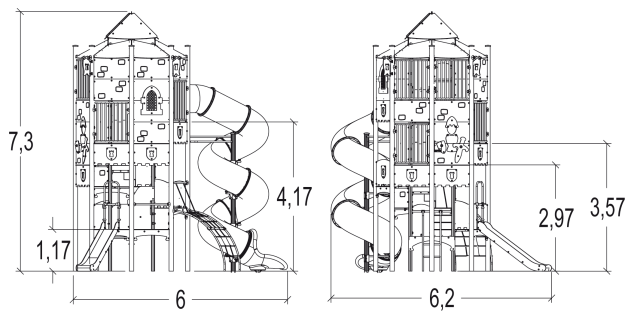
25



2,37m



1 = 7,2m 2 = 7m 3 = 7,2m



Play value : 7

role play



x1

meeting



x1

handling



x1

hiding



x1

taking shelter

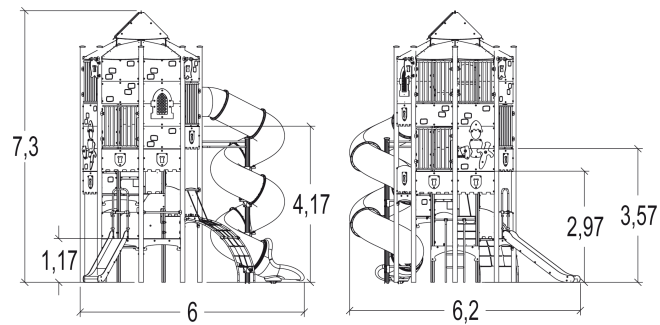


x1

climbing



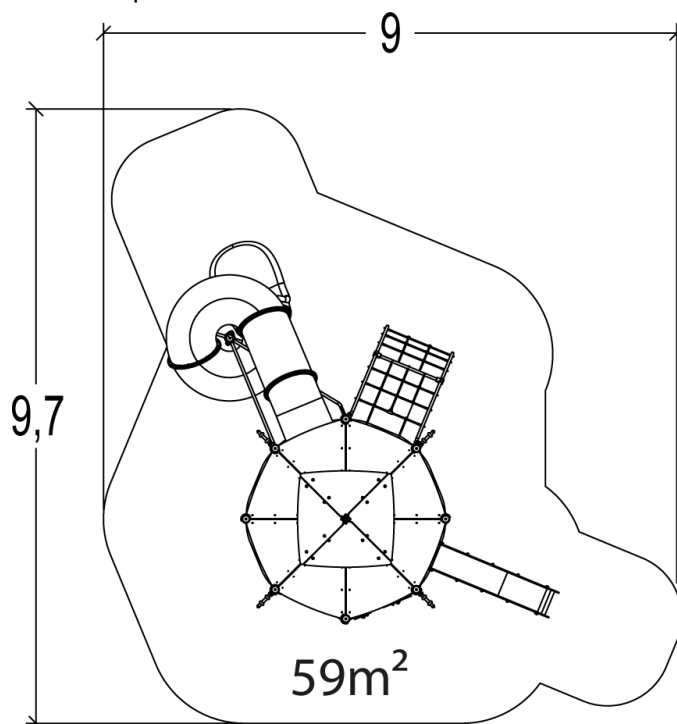
x2





## Installation of equipment

Impact area =

 Impact area  
 Free space



		
1	0,6m	5m <sup>2</sup>
2	0,97m	5m <sup>2</sup>
3	1m	17,5m <sup>2</sup>
4	1,17m	8,5m <sup>2</sup>
5	1,77m	9m <sup>2</sup>
6	2,37m	17,5m <sup>2</sup>



4



00h00



3.4m<sup>3</sup>



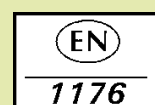
62.5m<sup>2</sup>



2438kg



51kg



*Proludic*

2016-01-08