



3+



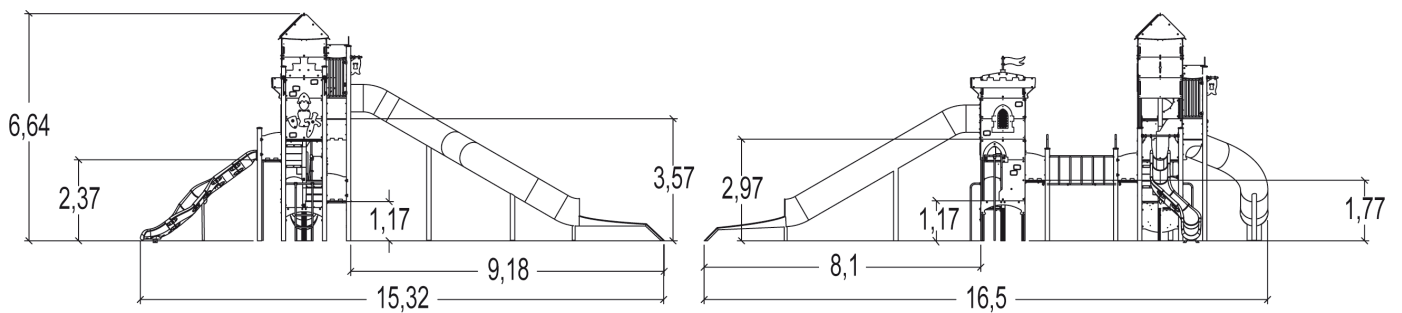
40



2,37m



1 = 16,5m 2 = 15,3m 3 = 6,65m



Play value : 17

climbing



x1

role play



x2

sliding



x4

meeting



x2

handling



x1

hiding



x2

taking shelter



x2

climbing

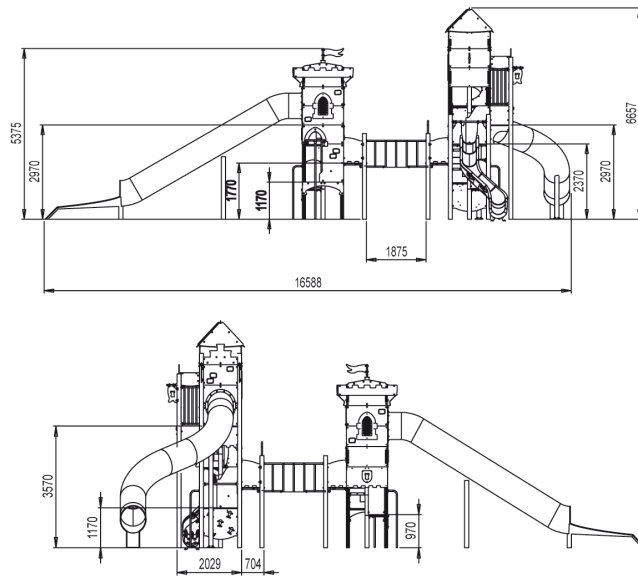


x2

getting across



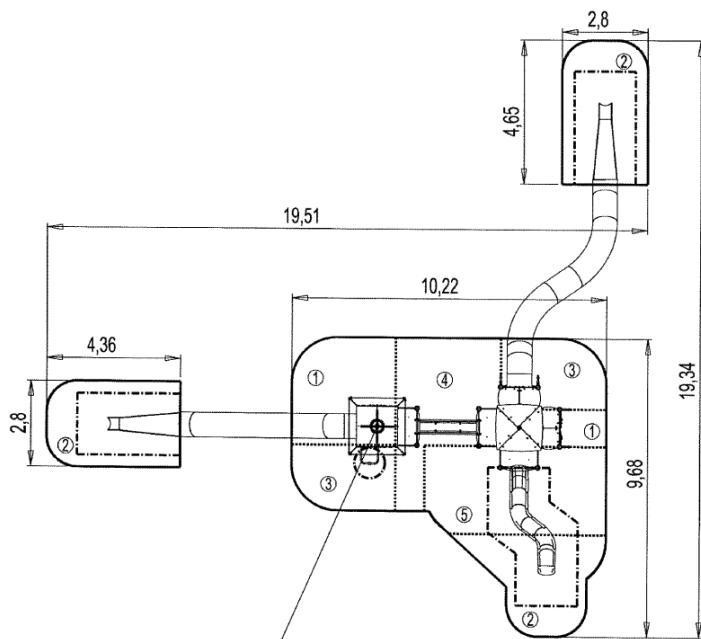
x1





Installation of equipment

Impact area =

-  Impact area
-  Free space



Point de Référence
Setting Out Point
Punto de referencia
Bezugspunkt

		
1	0,97m	15,5m ²
2	1m	35m ²
3	1,17m	14,5m ²
4	1,77m	14m ²
5	2,37m	17m ²



4



00h00



5.1m³



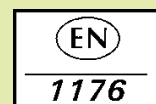
96m²



3914kg



700kg



Proludic

2010-02-04