



3+



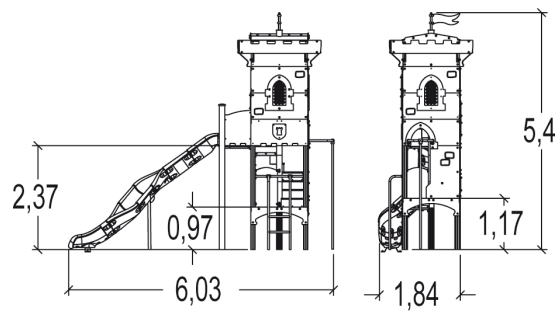
15



2,37m



1 = 6m 2 = 2,15m 3 = 5,38m



Play value : 7

role play



x1

sliding



x2

meeting



x1

hiding



x1

taking shelter

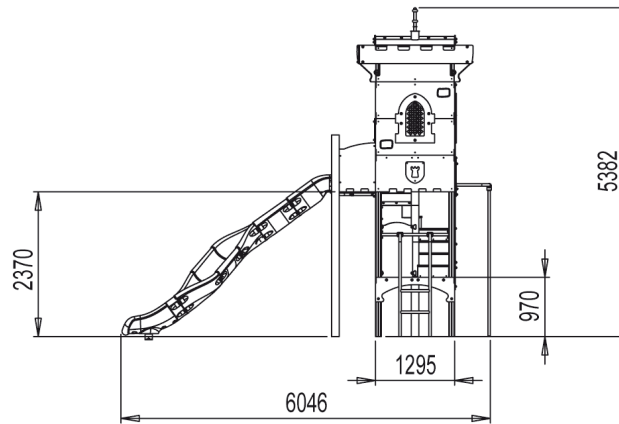


x1

climbing



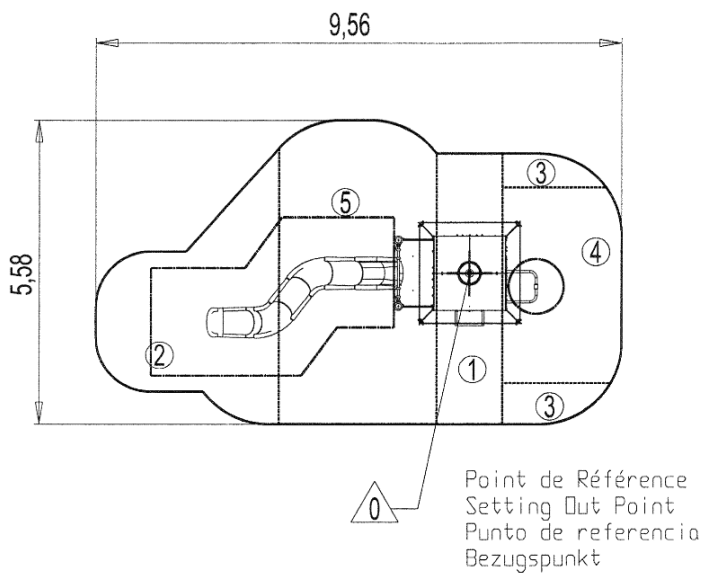
x1





Installation of equipment

Impact area =

-  Impact area
-  Free space



		
1	0,97m	6m ²
2	1m	10,5m ²
3	1,17m	2,5m ²
4	1,5m	8m ²
5	2,37m	16m ²



4



99h00



2.1m³



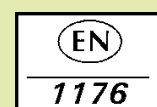
43m²



963kg



32kg



Proludic

2010-02-04