



3+



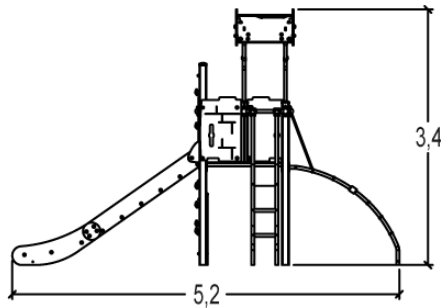
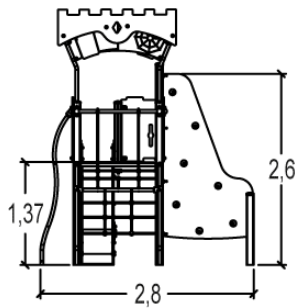
15



2,6m



1 = 2,83m 2 = 5,15m 3 = 6,5m



Play value :

14

climbing



x2

role play



x1

sliding



x2

meeting



x2

handling



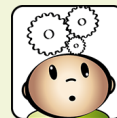
x1

taking shelter



x1

thinking



x1

tactile stimulation



x1

visual stimulation

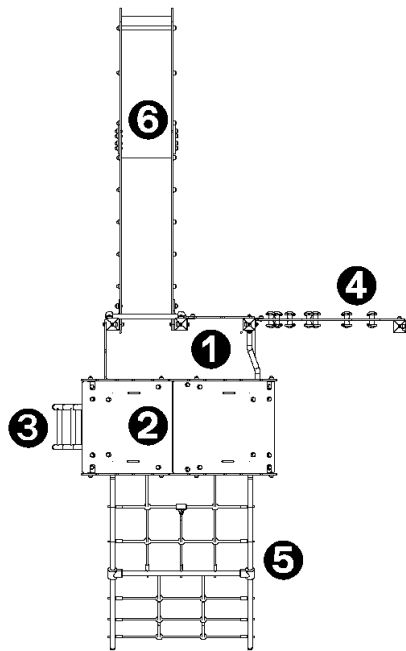


x1

climbing



x2

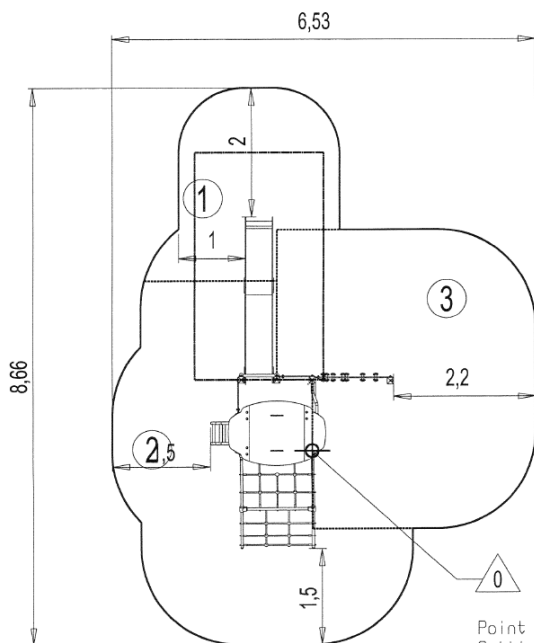


- ① Square platform
- ② Themed roof
- ③ Curved ladder
- ④ Climbing wall
- ⑤ Incline net H: 1.37m
- ⑥ 1.37m slide



Installation of equipment

Impact area =

— Impact area
 - - - Free space



Point de Référence
 Setting Out Point
 Punto de referencia
 Bezugspunkt
 Referentiepunt

		
1	1m	7m ²
2	1,37m	17m ²
3	2,6m	17m ²

