



2+



15



1,17m



1 = 4,3m 2 = 1,4m 3 = 3,1m



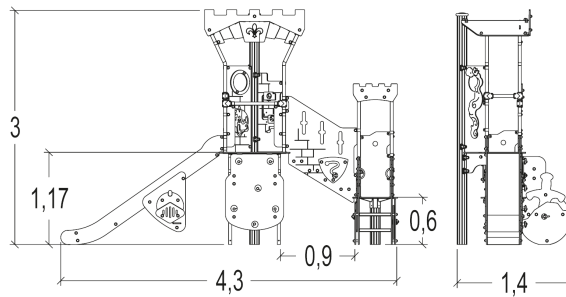
Motor disability



Sensorial disabilities



Learning disabilities



Play value :

18

climbing



x1

role play



x3

sliding



x1

meeting



x2

resting



x1

handling



x4

hiding



x1

taking shelter



x1

thinking

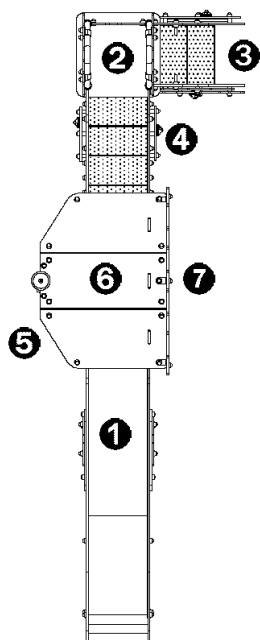


x2

climbing



x2

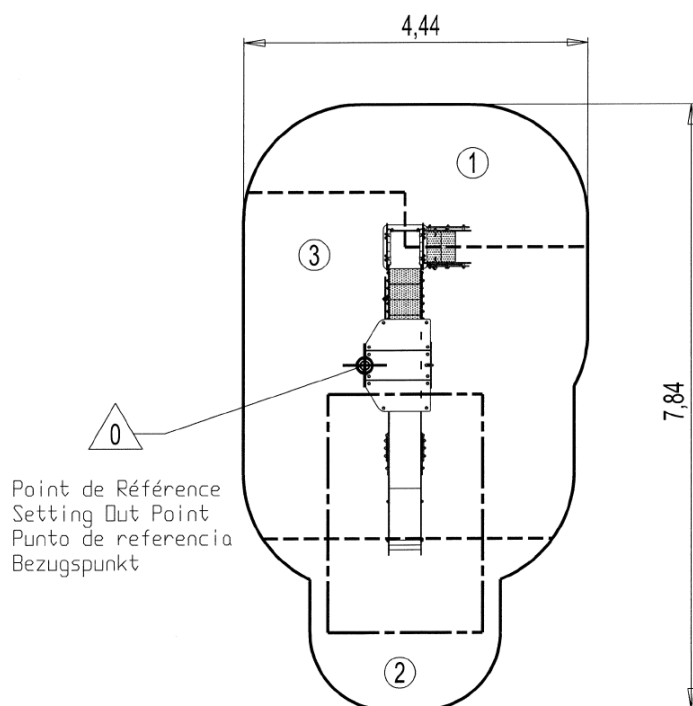


- ① Slide
- ② Themed square platform
- ③ Stairway
- ④ Intermediate staircase
- ⑤ Dragon and Princess panel
- ⑥ Themed tower
- ⑦ Climbing wall

## Installation of equipment

Impact area =

- Impact area
- Free space



1	0,6m	5,5m <sup>2</sup>
2	1m	5,5m <sup>2</sup>
3	1,17m	17,5m <sup>2</sup>



2



12h00



0.26m<sup>3</sup>



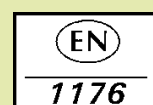
28.5m<sup>2</sup>



323kg



33kg



*Proludic*

2014-12-19