



3+



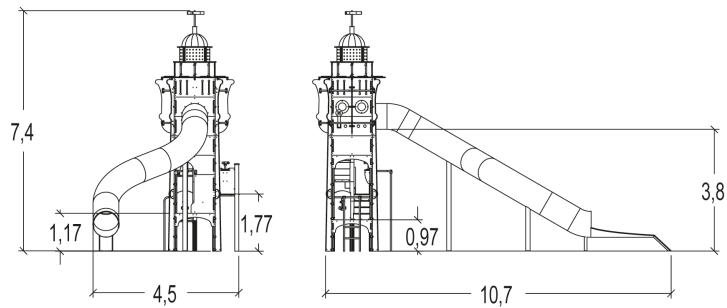
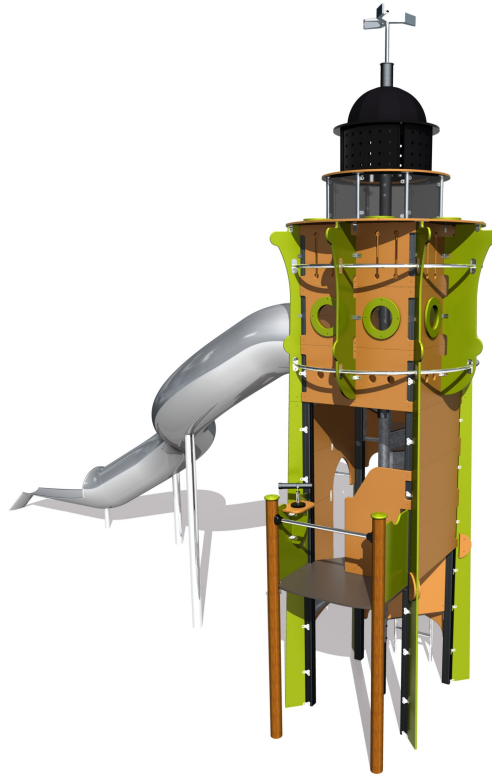
15



1,77m



1 = 10,7m 2 = 4,5m 3 = 7,4m



Play value :

9

climbing



x1

role play



x1

sliding



x1

meeting



x1

resting



x1

hiding



x1

taking shelter



x1

visual stimulation

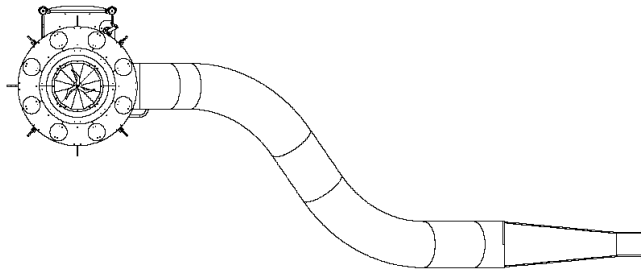


x1

climbing



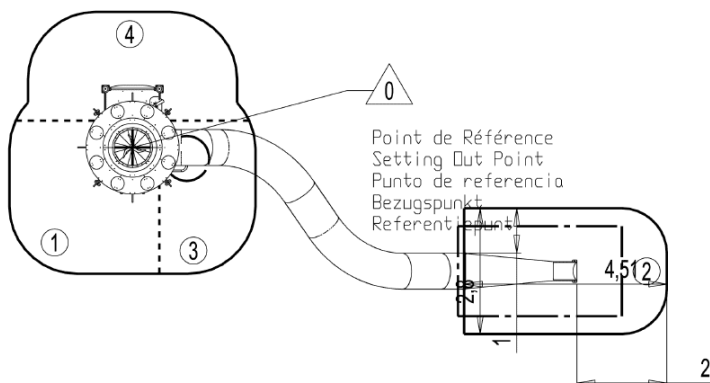
x1





## Installation of equipment

Impact area =

-  Impact area
-  Free space



		
1	0,97m	11m <sup>2</sup>
2	1m	12,5m <sup>2</sup>
3	1,5m	7m <sup>2</sup>
4	1,77m	10,5m <sup>2</sup>



0



00h00



0m<sup>3</sup>



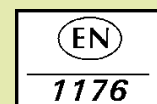
40m<sup>2</sup>



1822kg



700kg



*Proludic*

2015-02-10