



2+



12



1,17m



1 = 5,66m 2 = 3,13m 3 = 3,02m



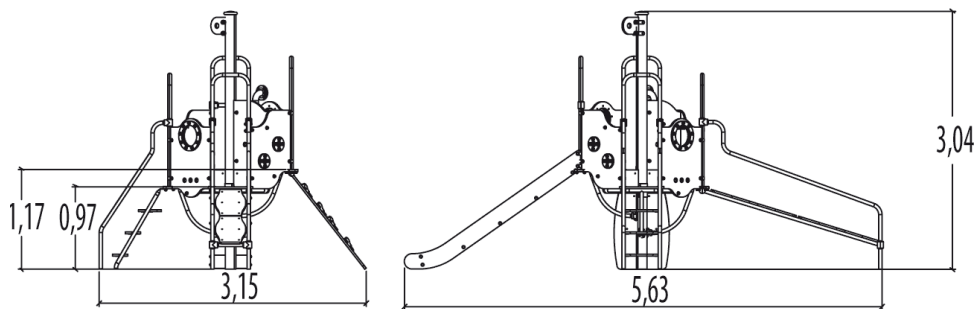
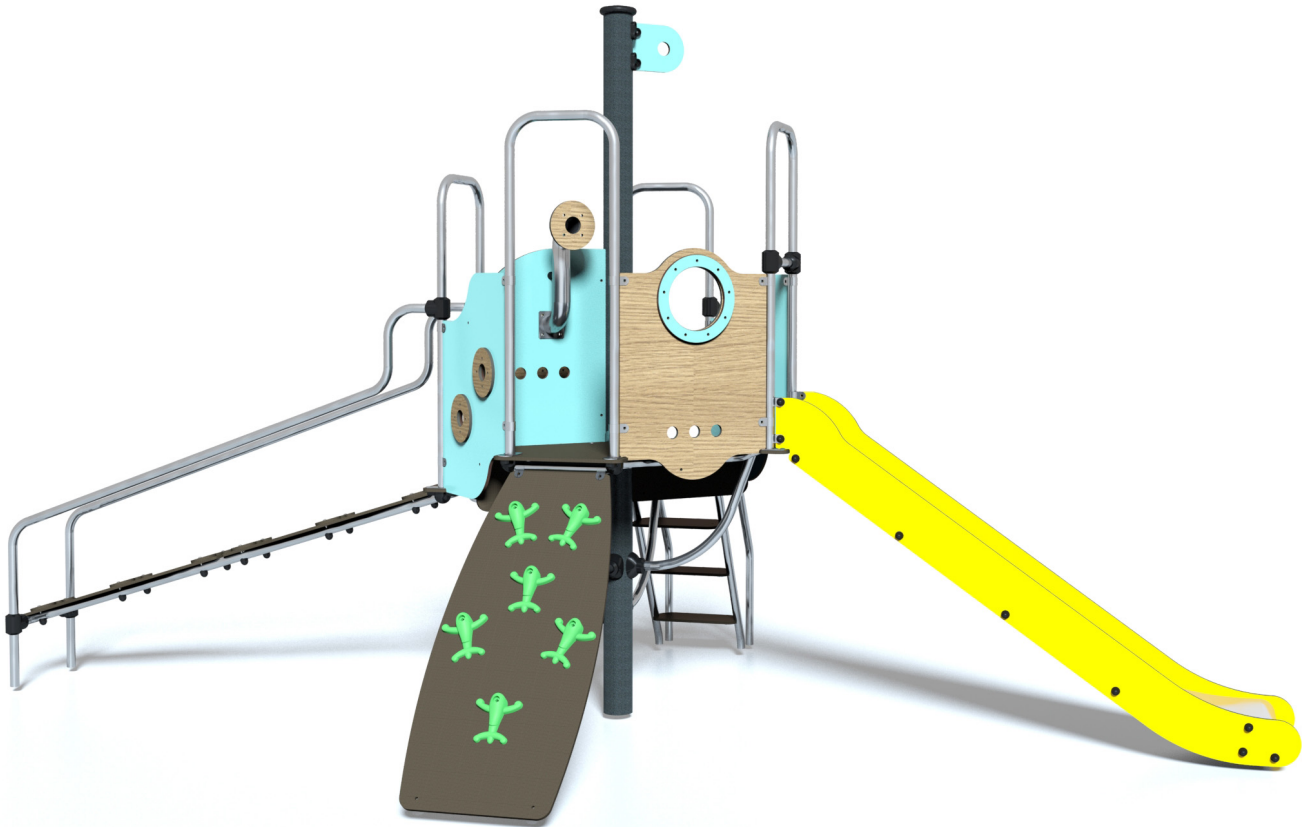
Motor disability



Sensorial disabilities



Learning disabilities



Play value : 7

climbing



x1

role play



x1

sliding



x1

meeting



x1

visual stimulation



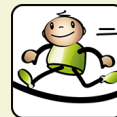
x1

climbing

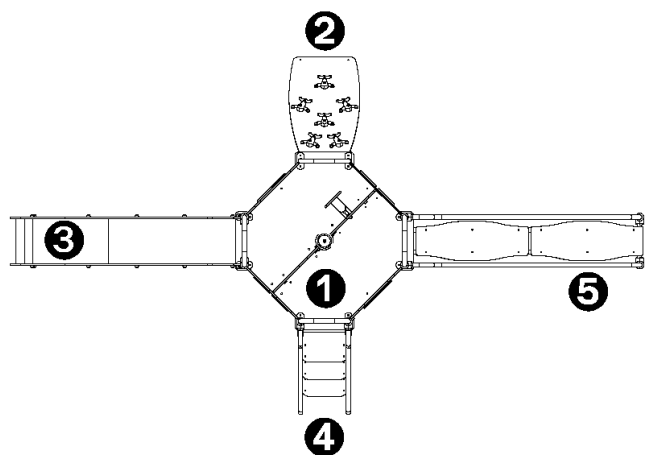


x1

getting across



x1

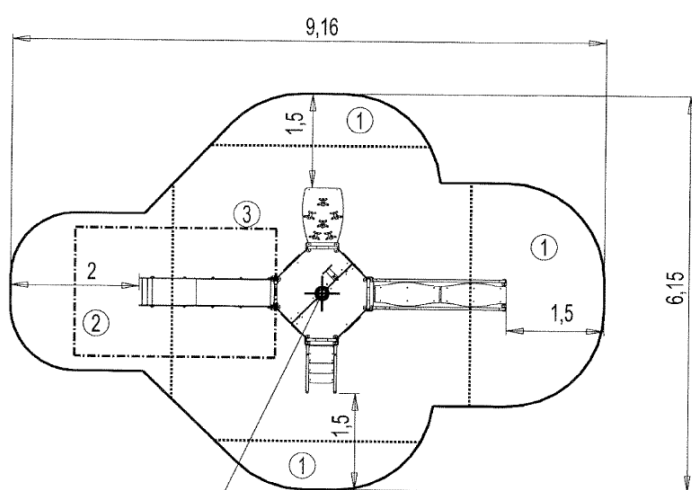


- ① Plate-forme Aquatica
- ② Slope
- ③ Toboggan H : 1,17 m
- ④ Stairs HT: 1.17m
- ⑤ Flexible bridge

Installation of equipment

Impact area =

- Impact area
- Free space



Point de Référence
Setting Out Point
Punto de referencia
Bezugspunkt

1	0,60m	10,5m ²
2	1,00m	6m ²
3	1,17m	20,5m ²



2



11h30



0.4m³



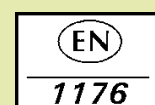
37m²



325kg



35kg



Proludic

2012-08-24