



3+



30



1,37m



1 = 6,6m 2 = 5,9m 3 = 3m



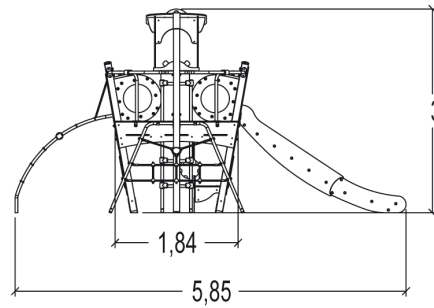
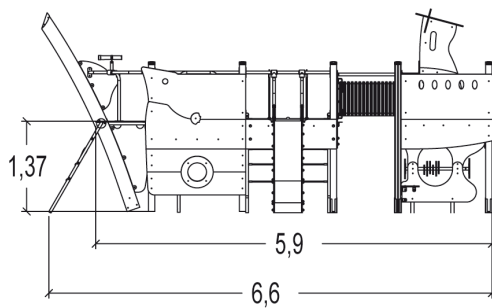
Motor disability



Sensorial disabilities



Learning disabilities



Play value :

14

role play



x1

sliding



x2

meeting



x1

resting



x1

handling



x1

crawling



x1

hiding



x2

tactile stimulation



x1

visual stimulation



x1

climbing

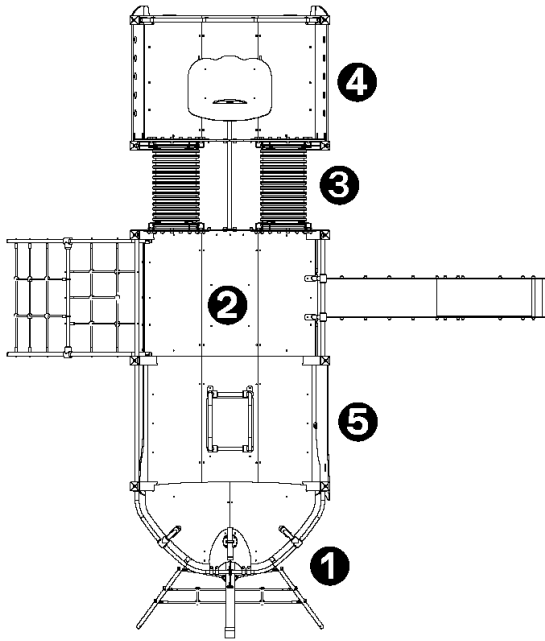


x2

getting across



x1

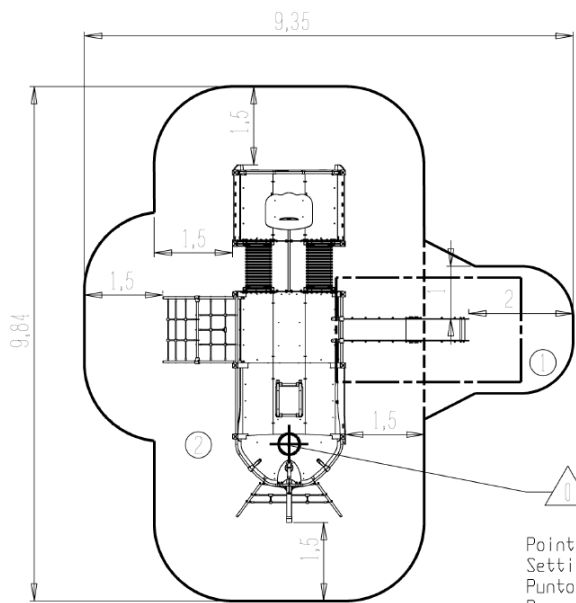


- 1 THE STERN
- 2 NET + SLIDE
- 3 TUNNELS
- 4 THE BOW
- 5 GUARD RAILS

## Installation of equipment

Impact area =

- Impact area
- Free space



Point de Référence  
Setting Out Point  
Punto de referencia  
Bezugspunkt

1	1m	7m <sup>2</sup>
2	1,37m	54m <sup>2</sup>

2

42h00

0.5m<sup>3</sup>

61m<sup>2</sup>

1073kg

33kg

1176

2013-02-01