



2+



25



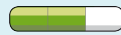
1,8m



1 = 5m 2 = 3,3m 3 = 2,7m



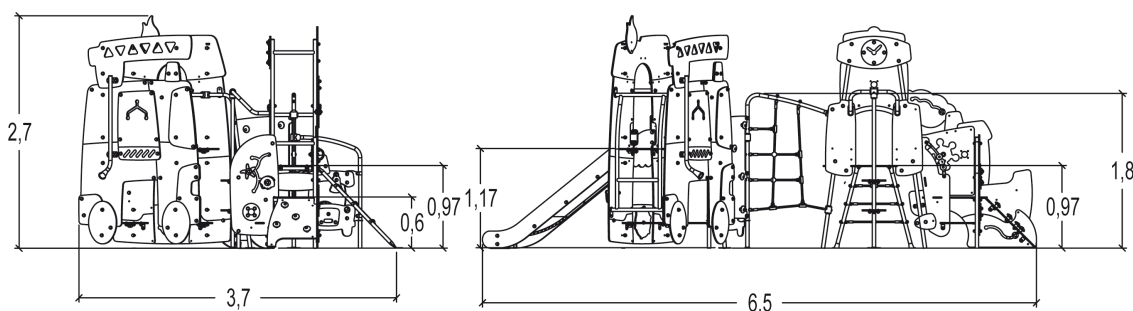
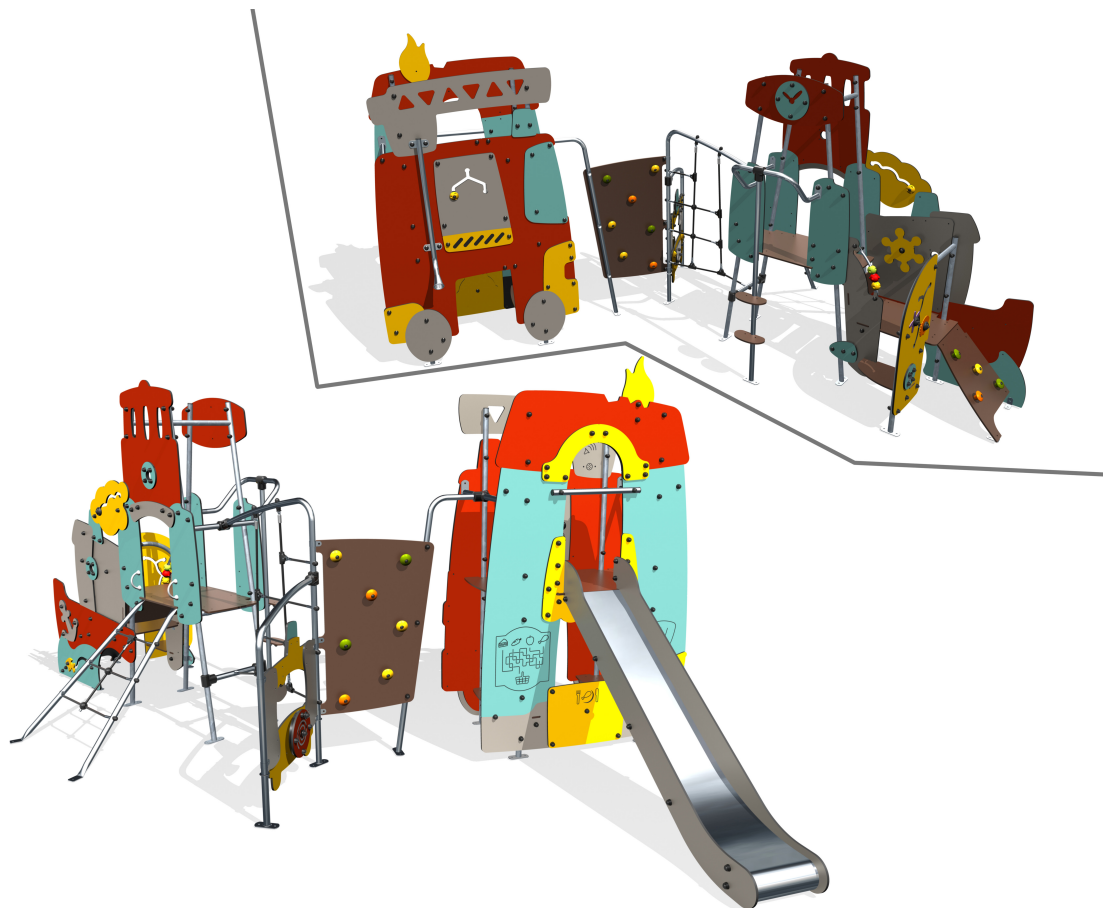
Motor disability



Sensorial disabilities



Learning disabilities



Play value : 25

climbing



x2

role play



x4

sliding



x1

meeting



x3

resting



x1

handling



x2

hiding



x1

sound stimulation



x1

tactile stimulation



x2

visual stimulation

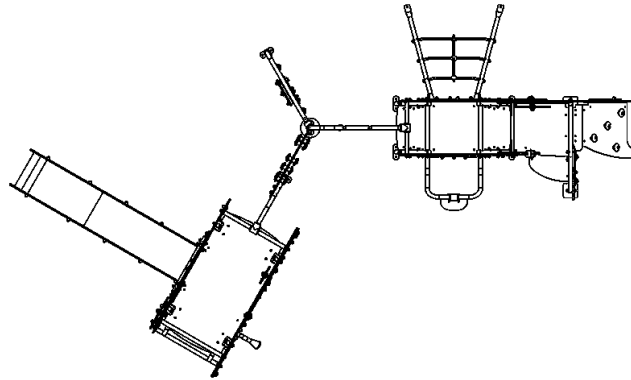


x3

climbing



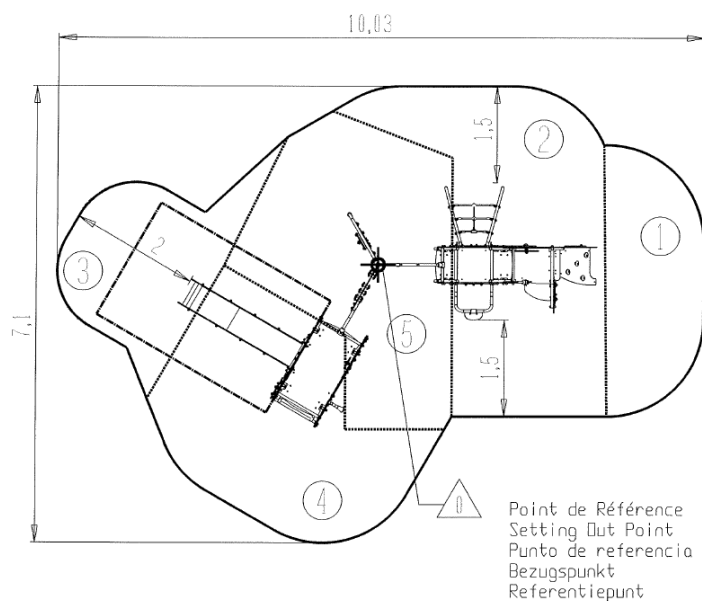
x5



## Installation of equipment

Impact area =

-  Impact area
-  Free space



1	0,6m	5,5m <sup>2</sup>
2	0,97m	13,5m <sup>2</sup>
3	1m	6m <sup>2</sup>
4	1,17m	11m <sup>2</sup>
5	1,8m	12m <sup>2</sup>



2



16h00



0.6m<sup>3</sup>



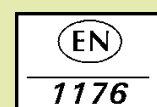
48m<sup>2</sup>



496kg



17kg



*Proludic*

2014-10-14