



2+



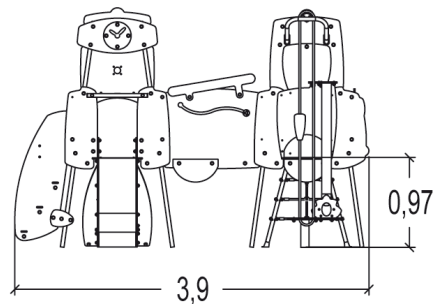
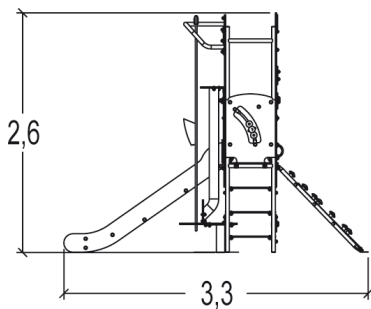
15



1m



1 = 3,9m 2 = 3,3m 3 = 2,6m



Play value : 9

climbing



x1

role play



x1

sliding



x1

meeting



x2

handling



x1

visual stimulation

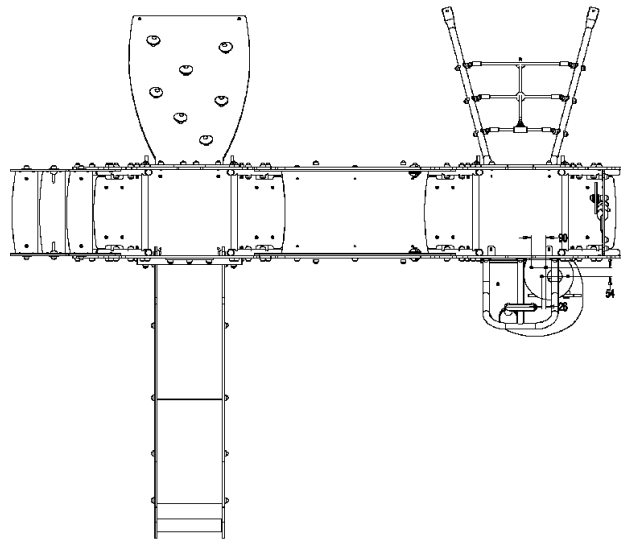


x1

climbing





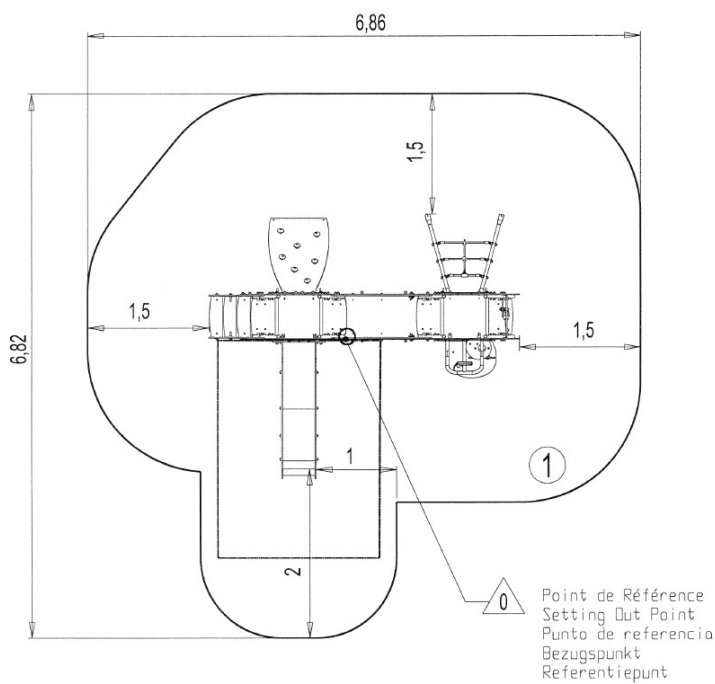
x2





Installation of equipment

Impact area =

-  Impact area
-  Free space



		
1	1m	35,5m ²



2



16h00



0.5m³



35.5m²



501kg



235kg



Proludic

2014-12-10